

fusion valve

Trunnion Ball Valve Catalogue



API 6D License

ISO 9001 :2008 Certified

CE Mark PED 97/23/EC Approved



Fusion Series 432

Introduction

"Fusion" is the registered trademark of Archmetal Industries, a member of the Fortune Group.

The Fortune Group is a world class producer of a full range of high quality valves, including plumbing, commercial, oil & gas, industrial and special application products.

Fortune maintains a number of modern manufacturing facilities supported by a world-class R&D team and offers one of the most complete product lines in the valve industry.

Fortune is fully committed to repeatable high quality, competitive pricing, superior service and ongoing innovation.

Fortune's products are marketed worldwide through select sales Channels in North America (supported by Fortune Distribution Centers and factory sales personnel) and sales offices in Asia, providing unsurpassed service to our customers.

Fortune's Premium Fusion Brand Products are made in accordance to the ASME B16.34 design standard and are ideal for critical application in Oil & Gas Midstream & Production, Petrochemical and Refining industries.

Fusion products have been designed and are manufactured according to the following specification and Standards.

- API specification Q1 quality system
- ISO 9001:2008 quality system
- ASME B16.34, B16.10, B16.5, B16.11, B16.25
- API 607
- CSA Z245.15
- API 598
- API 608
- API 6D Monogrammed
- CE Mark PED 97/23/EC Approved
- NACE MR0103
- NACE MR0175 / ISO 15156
- MSS SP - 25
- Canadian Registration Number (CRN)

See each product series to determine its certifications

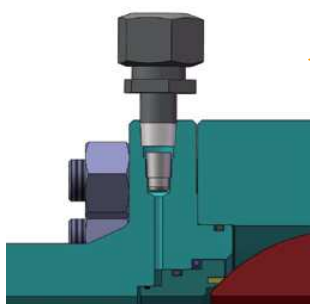


Fusion Series 432

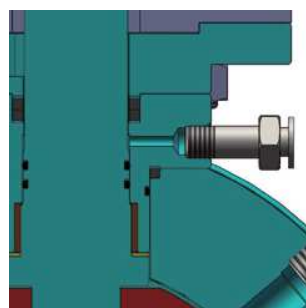
General Design Features

The series 432 trunnion ball valve is API 6D monogrammed and conforms to ASME B16.34, API 608 and ASTM specifications. This forged body 3-piece design is available 2" thru 24" in sizes and Class 150 through Class 2500 in pressure with a variety of body and trim material options. The valves

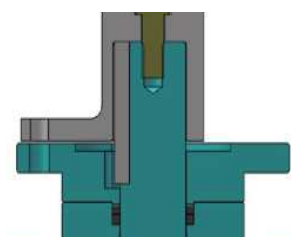
feature double block and bleed capability and double isolation and bleed valve, ISO mounting pad (direct mount), and low operating torques. All trunnion valves are marked CSA Z245.15. Fusion trunnion Ball valve and fire-safe to API 607



Emergency Seat Sealant System



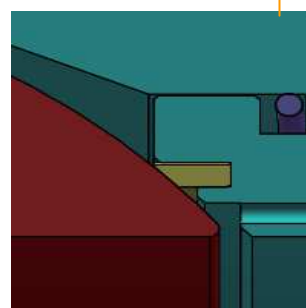
Emergency Stem Injection Fitting



Low Torque:
Ball is supported by upper and lower bearing

Blowout Proof Stem Design

Anti Static Device



Fire-Safe construction: When the soft material is incinerated by fire the internal springs push the seat holder against the ball to form metal to metal sealing. Seat self relieving feature.



DPE VALVE:
Single valve with two seating surfaces, each of which, in the closed position, provides a seal against pressure from a single source.

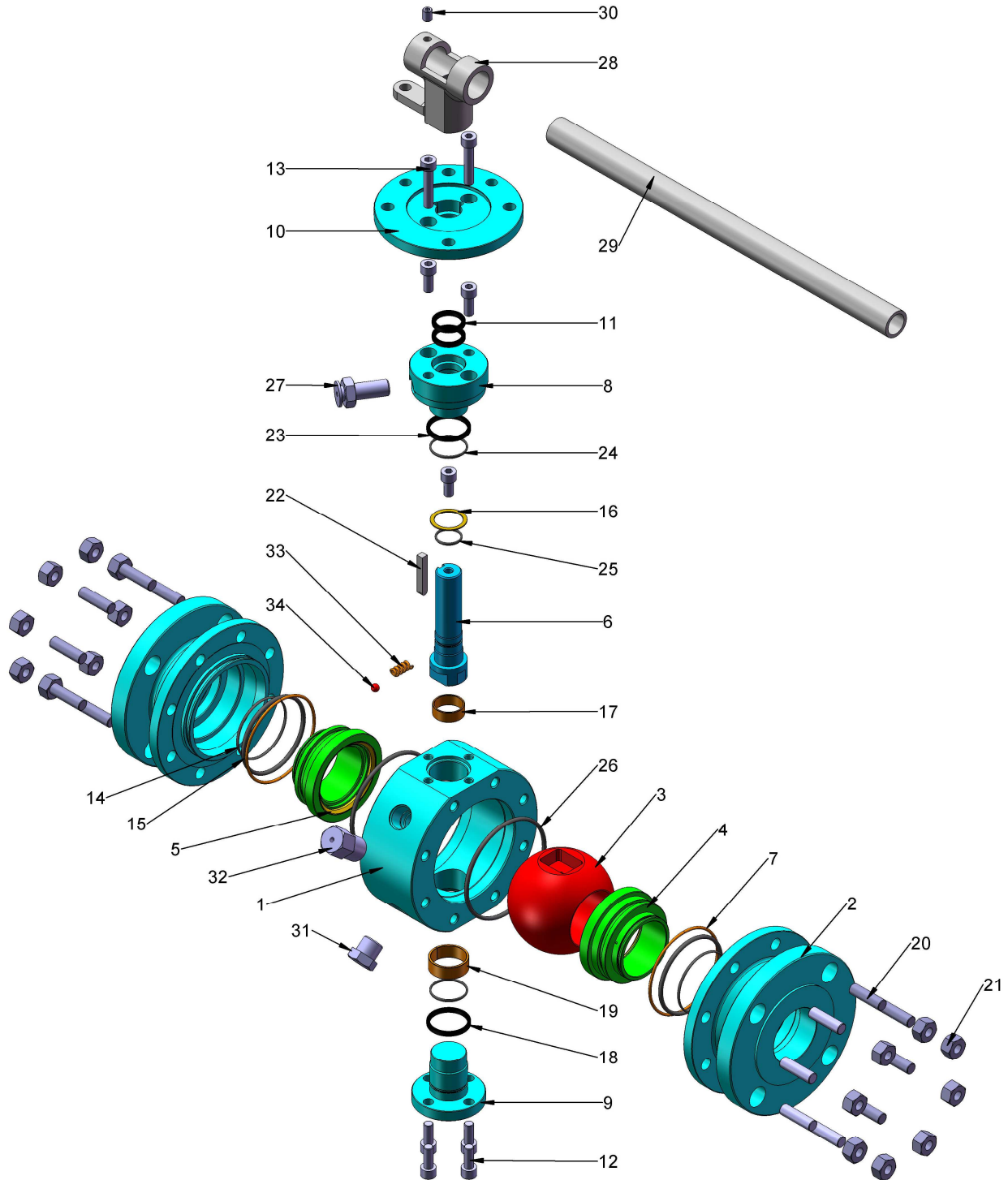
Patented in China / Patent Pending elsewhere



Fusion Series 432

2"~4" FP & 3"~6" RP Class 150 ~ 300

FLANGED END CONNECTIONS





Fusion Series 432

2"~4" FP & 3"~6" RP Class 150 ~ 300

Bill of Materials:

ITEM	PART	STAINLESS STEEL	CARBON STEEL LOW TEMP	CARBON STEEL
1	BODY	ASTM A182 F316	ASTM A350 LF2	ASTM A105
2	ADAPTER	ASTM A182 F316	ASTM A350 LF2	ASTM A105
3	BALL	ASTM A182 F316/F6a	ASTM A350 LF2+ENP	ASTM A350 LF2+ENP
3*	BALL(SS TRIM)	ASTM A182 F316/F6a	ASTM A182 F316/F6a	ASTM A182 F316/F6a
4	SEAT HOLDER	ASTM A182 F316/F6a	ASTM A350 LF2+ENP/4140+ENP	ASTM A350 LF2+ENP/4140+ENP
4*	SEAT HOLDER(SS TRIM)	ASTM A182 F316/F6a	ASTM A182 F316/F6a	ASTM A182 F316/F6a
5	SEAT INSERT	PTFE/RPTFE/RTFM/DEVLON	PTFE/RPTFE/RTFM/DEVLON	PTFE/RPTFE/RTFM/ DEVLON
6	STEM	17-4PH	4140/42CrMo+ENP/17-4PH	4140/42CrMo+ENP/17-4PH
6*	STEM(SS TRIM)	17-4PH	17-4PH	17-4PH
7	WAVE SPRING	INCONEL X-750	INCONEL X-750	INCONEL X-750
8	BONNET	ASTM A182 F316	ASTM A350 LF2	ASTM A105
9	TRUNNION	ASTM A182 F316	ASTM A350 LF2+ENP	ASTM A105+ENP
10	GLAND FLANGE	304SS	C/S	C/S
11	STEM PACKING	GRAPHITE	GRAPHITE	GRAPHITE
12	CAP SCREW	ASTM A320 L7M WITH ZINC PLATING	ASTM A320 L7M	ASTM A320 L7M
13	CAP SCREW	ASTM A320 L7M WITH ZINC PLATING	ASTM A320 L7M	ASTM A320 L7M
14	SEAT O-RING	HNBR	HNBR	HNBR
15	SEAT O-RING	HNBR	HNBR	HNBR
16	STEM THRUST WASHER	PTFE/RPTFE/RTFM/DEVLON	PTFE/RPTFE/RTFM/DEVLON	PTFE/RPTFE/RTFM/ DEVLON
17	STEM BUSHING	SS+PTFE	C/S+PTFE	C/S+PTFE
18	TRUNNION GASKET	GRAPHITE	GRAPHITE	GRAPHITE
19	TRUNNION BUSHING	SS+PTFE	C/S+PTFE	C/S+PTFE
20	STUD	ASTM A320 L7M WITH ZINC PLATING	ASTM A320 L7M	ASTM A320 L7M
21	NUT	ASTM A194 7ML WITH ZINC PLATING	ASTM A194 7ML	ASTM A194 7ML
22	KEY	1045	1045	1045
23	BONNET GASKET	GRAPHITE	GRAPHITE	GRAPHITE
24	BONNET O-RING	HNBR	HNBR	HNBR
25	STEM O-RING	HNBR	HNBR	HNBR
26	ADAPTER O-RING	HNBR	HNBR	HNBR
27	STEM INJECTIONG FITTING	304SS	304SS	304SS
28	HANDLE HOLDER	C/S	C/S	C/S
29	PIPE	C/S	C/S	C/S
30	SET SCREW	C/S	C/S	C/S
31	DRAIN PLUG	ASTM A182 F316	304SS	304SS
32	VENT VALVE	316SS	304SS	304SS
33	ANTISTATIC SPRING	304SS	304SS	304SS
34	ANTISTATIC BALL	304SS	304SS	304SS

* = SS trim only



Fusion Series 432

2"~4" FP & 3"~6" RP Class 600 ~ 1500

Bill of Materials:

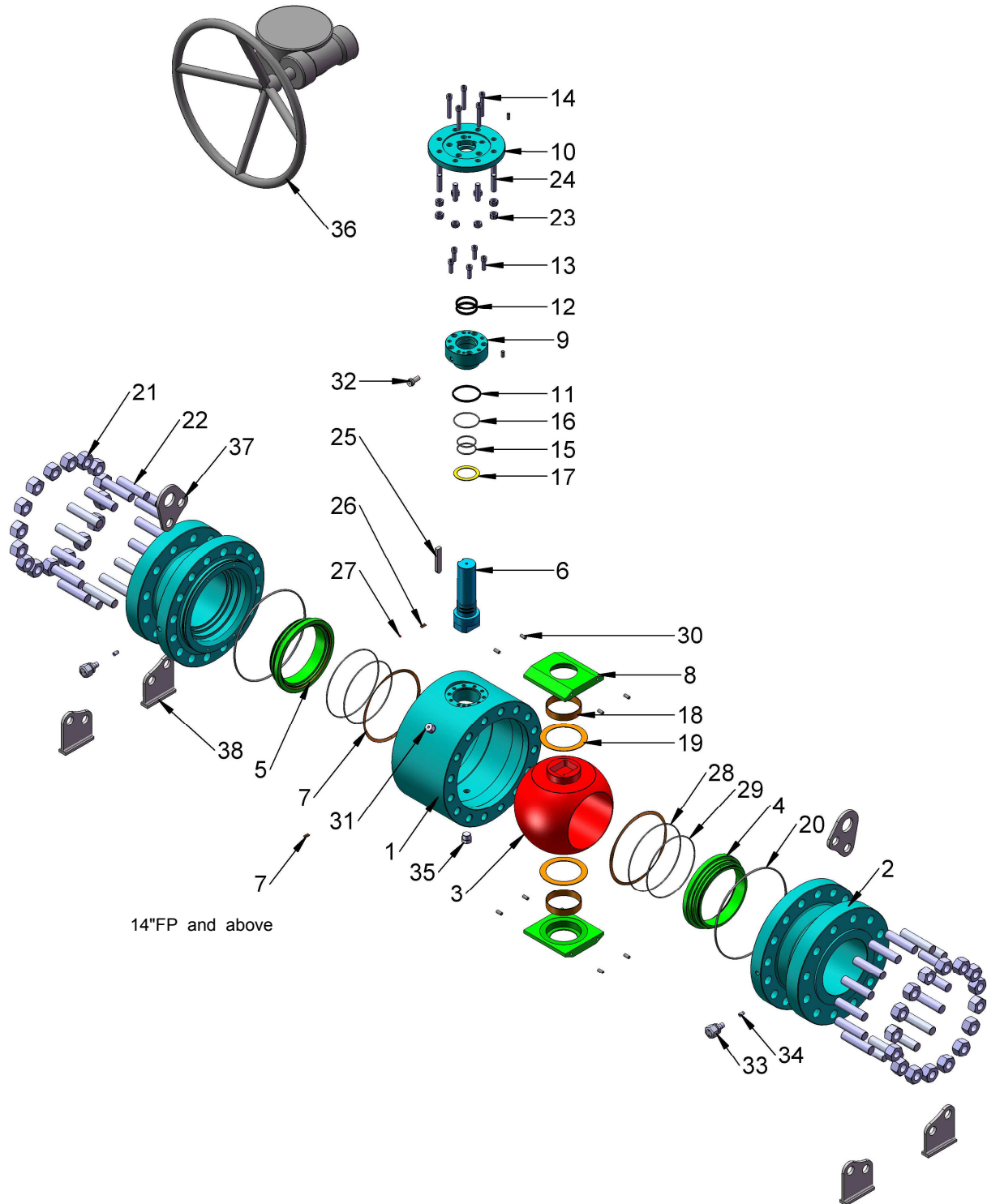
ITEM	PART	STAINLESS STEEL	CARBON STEEL LOW TEMP	CARBON STEEL
1	BODY	ASTM A182 F316	ASTM A350 LF2	ASTM A105
2	ADAPTER	ASTM A182 F316	ASTM A350 LF2	ASTM A105
3	BALL	ASTM A182 F316/F6a	ASTM A350 LF2+ENP	ASTM A350 LF2+ENP
3*	BALL(SS TRIM)	ASTM A182 F316/F6a	ASTM A182 F316/F6a	ASTM A182 F316/F6a
4	SEAT HOLDER	ASTM A182 F316/F6a	ASTM A350 LF2+ENP/4140+ENP	ASTM A350 LF2+ENP/4140+ENP
4*	SEAT HOLDER(SS TRIM)	ASTM A182 F316/F6a	ASTM A182 F316/F6a	ASTM A182 F316/F6a
5	SEAT INSERT	DEVLON	DEVLON	DEVLON
6	STEM	17-4PH	4140/42CrMo+ENP/17-4PH	4140/42CrMo+ENP/17-4PH
6*	STEM(SS TRIM)	17-4PH	17-4PH	17-4PH
7	WAVE SPRING	INCONEL X-750	INCONEL X-750	INCONEL X-750
8	BONNET	ASTM A182 F316	ASTM A350 LF2	ASTM A105
9	TRUNNION	ASTM A182 F316	ASTM A350 LF2+ENP	ASTM A105+ENP
10	GLAND FLANGE	304SS	C/S	C/S
11	BONNET GASKET	GRAPHITE	GRAPHITE	GRAPHITE
12	STEM PACKING	GRAPHITE	GRAPHITE	GRAPHITE
13	CAP SCREW	ASTM A320 L7M WITH ZINC PLATING	ASTM A320 L7M	ASTM A320 L7M
14	CAP SCREW	ASTM A320 L7M WITH ZINC PLATING	ASTM A320 L7M	ASTM A320 L7M
15	STEM O-RING	HNBR	HNBR	HNBR
16	BONNET O-RING	HNBR	HNBR	HNBR
17	STEM THRUST WASHER	RPTFE/RTFM/DEVLON	RPTFE/RTFM/DEVLON	RPTFE/RTFM/DEVLON
18	STEM BUSHING	SS+PTFE	C/S+PTFE	C/S+PTFE
19	TRUNNION GASKET	GRAPHITE	GRAPHITE	GRAPHITE
20	TRUNNION BUSHING	SS+PTFE	C/S+PTFE	C/S+PTFE
21	TRUNNION O-RING	HNBR	HNBR	HNBR
22	STUD	ASTM A320 L7M WITH ZINC PLATING	ASTM A320 L7M	ASTM A320 L7M
23	NUT	ASTM A194 7ML WITH ZINC PLATING	ASTM A194 7ML	ASTM A194 7ML
24	PIN	410	4130	4130
25	KEY	1045	1045	1045
26	SEAT O-RING	HNBR	HNBR	HNBR
27	SEAT O-RING	HNBR	HNBR	HNBR
28	ADAPTER O-RING	HNBR	HNBR	HNBR
29	STEM INJECTIONG FITTING	304SS	304SS	304SS
30	SEAT INJECTIONG FITTING	304SS	304SS	304SS
31	HANDLE HOLDER	C/S	C/S	C/S
32	PIPE	C/S	C/S	C/S
33	SET SCREW	C/S	C/S	C/S
34	DRAIN PLUG	ASTM A182 F316	304SS	304SS
35	VENT VALVE	316SS	304SS	304SS
36	SMALL CHECK VALVE	316SS	304SS	304SS
37	ANTISTATIC SPRING	304SS	304SS	304SS
38	ANTISTATIC BALL	304SS	304SS	304SS

* = SS trim only

Fusion Series 432

6"~24" FP & 8"~24" RP Class 150 ~ 1500 & 2"~4" Class 2500

FLANGED END CONNECTIONS





Fusion Series 432

6"~24" FP & 6"~24" RP Class 150 ~ 1500 & 2"~4" Class 2500

Bill of Materials:

ITEM	PART	STAINLESS STEEL	CARBON STEEL LOW TEMP	CARBON STEEL
1	BODY	ASTM A182 F316	ASTM A350 LF2	ASTM A105
2	ADAPTER	ASTM A182 F316	ASTM A350 LF2	ASTM A105
3	BALL	ASTM A182 F316/F6a	ASTM A350 LF2+ENP	ASTM A350 LF2+ENP
3*	BALL(SS TRIM)	ASTM A182 F316/F6a	ASTM A182 F316/F6a	ASTM A182 F316/F6a
4	SEAT HOLDER	ASTM A182 F316/F6a	ASTM A350 LF2+ENP/4140+ENP	ASTM A350 LF2+ENP/4140+ENP
4*	SEAT HOLDER(SS TRIM)	ASTM A182 F316/F6a	ASTM A182 F316/F6a	ASTM A182 F316/F6a
5	SEAT INSERT	RPTFE/RTFM/DEVLON	RPTFE/RTFM/DEVLON	RPTFE/RTFM/DEVLON
6	STEM	17-4PH	4140/42CrMo+ENP/17-4PH	4140/42CrMo+ENP/17-4PH
6*	STEM(SS TRIM)	17-4PH	17-4PH	17-4PH
7**	WAVE SPRING	INCONEL X-750	INCONEL X-750	INCONEL X-750
8	INTERNAL TRUNNION	ASTM A182 F316	ASTM A350 LF2+ENP	ASTM A105+ENP
9	BONNET	ASTM A182 F316	ASTM A350 LF2	ASTM A105
10	GLAND FLANGE	304SS	C/S	C/S
11	BONNET GASKET	GRAPHITE	GRAPHITE	GRAPHITE
12	STEM PACKING	GRAPHITE	GRAPHITE	GRAPHITE
13	CAP SCREW	ASTM A320 L7M WITH ZINC PLATING	ASTM A320 L7M	ASTM A320 L7M
14	CAP SCREW	ASTM A320 L7M WITH ZINC PLATING	ASTM A320 L7M	ASTM A320 L7M
15	STEM O-RING	HNBR	HNBR	HNBR
16	BONNET O-RING	HNBR	HNBR	HNBR
17	STEM THRUST WASHER	RPTFE/RTFM/DEVLON	RPTFE/RTFM/DEVLON	RPTFE/RTFM/DEVLON
18	REATINER BUSHING	SS+PTFE	C/S+PTFE	C/S+PTFE
19	REATINER WASHER	SS+PTFE	C/S+PTFE	C/S+PTFE
20	ASAPTER O-RING	HNBR	HNBR	HNBR
21	STUD	ASTM A320 L7M WITH ZINC PLATING	ASTM A320 L7M	ASTM A320 L7M
22	NUT	ASTM A194 7ML WITH ZINC PLATING	ASTM A194 7ML	ASTM A194 7ML
23	NUT	304SS	C/S	C/S
24	STUD	304SS	C/S	C/S
25	KEY	1045	1045	1045
26	ANTISTATIC SPRING	304SS	304SS	304SS
27	ANTISTATIC BALL	304SS	304SS	304SS
28	SEAT O-RING	HNBR	HNBR	HNBR
29	SEAT O-RING	HNBR	HNBR	HNBR
30	PIN	410	4130	4130
31	VENT VALVE	316SS	304SS	304SS
32	STEM INJECTIONG FITTING	304SS	304SS	304SS
33	SEAT INJECTIONG FITTING	304SS	304SS	304SS
34	SMALL CHECK VALVE	316SS	304SS	304SS
35	DRAIN PLUG	ASTM A182 F316	304SS	304SS
36	GEAR BOX	COMPONENT	COMPONENT	COMPONENT
37	LIFTING LUG	304SS	C/S	C/S
38	LEG	304SS	C/S	C/S

* = SS trim only

** =14"FP and above using the coil spring

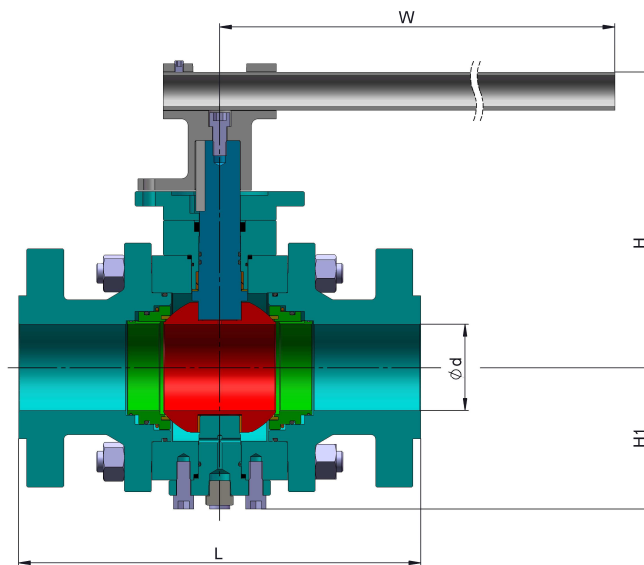
Fusion Series 432

2"~4" FP Class 150 ~ 300

2"~3" FP Class 600 ~ 900

2" FP Class 1500

FLANGED END CONNECTION



Weights and Dimensions:

SIZE	CLASS	d	L(RF)	L(RTJ)	H	H1	W	Cv	WEIGHT
in/mm		in/mm	in/mm	in/mm	in/mm	in/mm	in/mm	gal/min	kg/Lbs
2/50	150	2.00 / 50.8	7.00 / 178	7.50 / 191	7.44 / 189	3.43 / 87	14.37 / 356	500	20 / 44
	300	2.00 / 50.8	8.50 / 216	9.12 / 232	7.44 / 189	3.43 / 87	14.37 / 356	420	23 / 51
	600	2.00 / 50.8	11.50 / 292	11.62 / 295	9.17 / 233	4.09 / 104	21.65 / 550	350	41 / 90
	900	2.00 / 50.8	14.50 / 368	14.62 / 371	9.17 / 233	4.09 / 104	27.56 / 700	320	59 / 130
	1500	2.00 / 50.8	14.50 / 368	14.62 / 371	10.24 / 260	4.96 / 126	37.40 / 950	320	81 / 179
3/80	150	3.00 / 76.2	8.00 / 203	8.50 / 216	9.65 / 245	4.33 / 110	21.65 / 550	1390	35 / 77
	300	3.00 / 76.2	11.12 / 283	11.74 / 298	9.65 / 245	4.33 / 110	21.65 / 550	1050	46 / 101
	600	3.00 / 76.2	14.00 / 356	14.12 / 359	10.37 / 271	4.92 / 125	27.56 / 700	1000	71 / 157
	900	3.00 / 76.2	15.00 / 381	15.12 / 384	10.67 / 271	4.92 / 125	37.40 / 950	910	83 / 183
4/100	150	4.00 / 101.6	9.00 / 229	9.50 / 241	11.18 / 284	5.55 / 141	21.65 / 550	2550	60 / 133
	300	4.00 / 101.6	12.00 / 305	12.62 / 321	11.18 / 284	5.55 / 141	27.56 / 700	2000	78 / 172

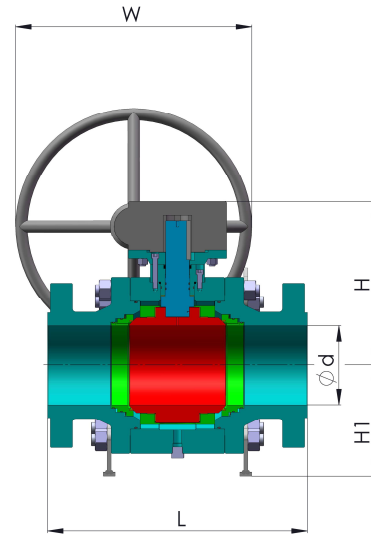
Fusion Series 432

2"~4" FP Class 2500

6"~24" FP Class 150~600

4"~12" FP Class 600~900

3"~12" FP Class 1500



Weights and Dimensions:

SIZE	CLASS	d	L(RF)	L(RTJ)	H	H1	W(rotork)	Cv	WEIGHT
in/mm		in/mm	in/mm	in/mm	in/mm	in/mm	in/mm	gal/min	kg/Lbs
2/50	2500	1.75 / 44.5	17.75 / 451	17.87 / 454	9.96 / 253	4.69 / 119	12.00 / 300	310	115 / 253
3/80	1500	3.00 / 76.2	18.50 / 470	18.62 / 473	10.47 / 266	5.75 / 146	12.00 / 300	820	141 / 310
	2500	2.50 / 63.5	22.75 / 578	23.00 / 584	12.24 / 311	6.22 / 158	20.00 / 500	426	254 / 559
4/100	600	4.00 / 101.6	17.00 / 432	17.12 / 435	10.35 / 263	5.91 / 150	12.00 / 300	1850	136 / 300
	900	4.00 / 101.6	18.00 / 457	18.12 / 460	10.87 / 276	6.14 / 156	12.00 / 300	1760	160 / 352
	1500	4.00 / 101.6	21.50 / 546	21.62 / 549	12.99 / 330	7.91 / 201	20.00 / 500	1610	298 / 657
	2500	3.50 / 88.9	26.50 / 673	26.88 / 683	14.01 / 356	7.40 / 188	20.00 / 500	999	410 / 902
6/150	150	6.00 / 152.4	15.50 / 394	16.00 / 406	11.33 / 288	6.73 / 171	12.00 / 300	5249	154 / 339
	300	6.00 / 152.4	15.88 / 403	16.50 / 419	11.33 / 288	6.73 / 171	12.00 / 300	5186	172 / 378
	600	6.00 / 152.4	22.00 / 559	22.12 / 562	12.40 / 315	7.52 / 191	20.00 / 500	4400	294 / 647
	900	6.00 / 152.4	24.00 / 610	24.12 / 613	13.50 / 343	8.11 / 206	20.00 / 500	4300	400 / 880
8/200	1500	5.75 / 146.1	27.75 / 705	28.00 / 711	12.01 / 305	8.31 / 211	16.00 / 100	4080	525 / 1155
	150	8.00 / 203.2	18.00 / 457	18.50 / 470	14.17 / 360	10.00 / 254	20.00 / 500	10750	297 / 654
	300	8.00 / 203.2	19.75 / 502	20.37 / 518	14.17 / 360	10.00 / 254	20.00 / 500	10262	337 / 742
	600	8.00 / 203.2	26.00 / 660	26.12 / 664	15.12 / 384	11.06 / 281	24.00 / 600	8450	511 / 1124
	900	8.00 / 203.2	29.00 / 737	29.12 / 740	16.97 / 431	11.89 / 302	20.00 / 500	8400	753 / 1657
10/250	1500	7.63 / 194.0	32.75 / 832	33.13 / 842	14.37 / 365	10.79 / 274	18.11 / 460	7980	880 / 1936
	150	10.00 / 254.0	21.00 / 533	21.50 / 546	16.85 / 428	11.42 / 290	20.00 / 500	17775	485 / 1067
	300	10.00 / 254.0	22.38 / 568	23.00 / 584	16.85 / 428	11.89 / 302	20.00 / 500	17220	538 / 1184
	600	10.00 / 254.0	31.00 / 787	31.12 / 791	17.87 / 454	12.36 / 314	20.00 / 500	14250	877 / 1930
	900	10.00 / 254.0	33.00 / 838	33.12 / 841	19.25 / 489	13.94 / 354	20.00 / 500	14160	1273 / 2800
12/300	1500	9.50 / 241.3	39.00 / 991	39.38 / 1000	17.32 / 440	12.20 / 310	24.00 / 600	13020	1560 / 3432
	150	12.00 / 304.8	24.00 / 610	24.50 / 622	18.66 / 474	13.39 / 340	20.00 / 500	26750	731 / 1608
	300	12.00 / 304.8	25.50 / 648	26.12 / 664	18.66 / 474	13.39 / 340	20.00 / 500	25950	817 / 1797
	600	12.00 / 304.8	33.00 / 838	33.12 / 841	20.35 / 517	15.83 / 402	20.00 / 500	22790	1394 / 3067
	900	12.00 / 304.8	38.00 / 965	38.12 / 968	22.20 / 564	16.93 / 430	20.00 / 500	21230	1880 / 4163
14/350	1500	11.38 / 289.0	44.50 / 1130	45.12 / 1146	23.46 / 596	19.09 / 485	23.60/600	19610	2285/5027
	150	13.25 / 336.6	27.00 / 686	27.50 / 669	19.41 / 493	13.98 / 355	15.70/400	30110	856/1883
	300	13.25 / 336.6	30.00 / 762	30.62 / 778	18.90 / 480	14.09 / 358	15.70/400	29680	940/2068
16/400	600	13.25 / 336.6	35.00 / 889	35.12 / 892	23.23 / 590	14.69 / 373	19.70/500	24220	1192/2622
	150	15.25 / 387.4	30.00 / 762	30.50 / 775	21.61 / 549	15.51 / 394	30.71/500	29210	1100/2420
	300	15.25 / 387.4	33.00 / 838	33.62 / 854	21.61 / 549	16.42 / 417	30.71/500	38760	1363/2999
18/450	600	15.25 / 387.4	39.00 / 991	39.12 / 994	22.95 / 583	17.87 / 454	32.68/500	31200	1953/4297
	150	17.25 / 483.2	34.00 / 864	34.50 / 876	26.06 / 662	17.87 / 454	19.70/500	52350	1658/3648
	300	17.25 / 483.2	36.00 / 914	36.62 / 930	26.26 / 667	18.11 / 460	19.70/500	51060	1885/4147
20/5000	600	17.25 / 483.2	43.00 / 1092	43.12 / 1095	28.11 / 714	19.02 / 483	23.60/600	43200	2152/4734
	150	19.25 / 489.0	36.00 / 914	36.50 / 927	27.17 / 690	19.72 / 501	31.50/ 800	64250	2016/4435
	300	19.25 / 489.0	39.00 / 991	39.72 / 1010	27.17 / 690	19.21 / 488	31.50/ 800	63030	2499/5498
24/600	600	19.25 / 489.0	47.00 / 1194	47.25 / 1200	28.54 / 725	20.79 / 528	31.50/ 800	53420	3484/7665
	150	23.25 / 590.6	42.00 / 1067	42.50 / 1080	31.89 / 810	25.16 / 639	31.50/ 800	100770	3331/7328
	300	23.25 / 590.6	45.00 / 1143	45.88 / 1165	31.89 / 810	22.80 / 579	31.50/ 800	90760	4002/8804
		600	23.25 / 590.6	55.00 / 1397	55.38 / 1407	33.66 / 855	31.50/ 800	82050	5687/12511

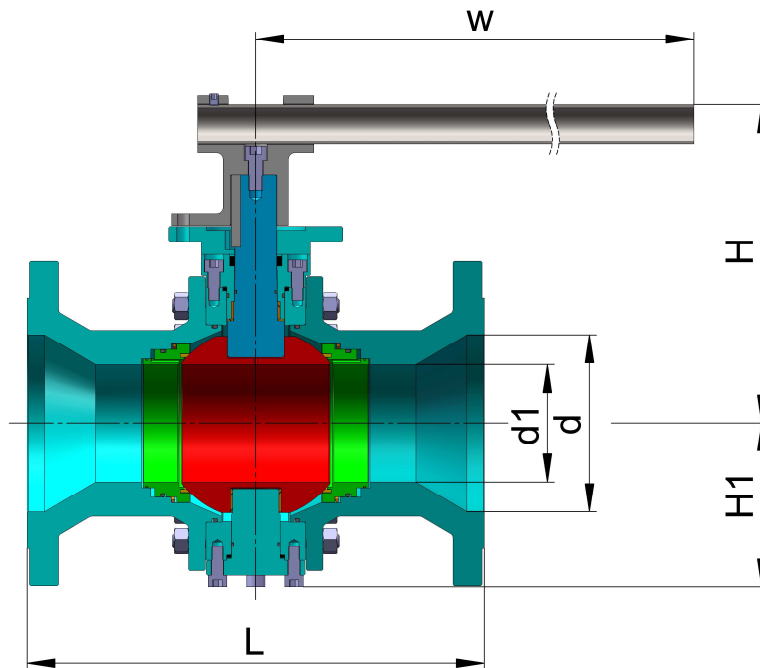
Fusion Series 432

3"~6" RP Class 150 ~ 300

3"~4" RP Class 600 ~ 900

3"RP Class 1500

FLANGED END CONNECTION



Weights and Dimensions:

SIZE	CLASS	d1	d	L(RF)	L(RTJ)	H	H1	W	Cv	WEIGHT
in/mm		in/mm	in/mm	in/mm	in/mm	in/mm	in/mm	in/mm	gal/min	kg/Lbs
3"X2"X3"	150	2.00/50.8	3.00/76.2	8.00/203	8.50/216	7.44/189	3.43/87	14.37/365	220	28/62
	300	2.00/50.8	3.00/76.2	11.12/283	11.74/298	7.44/189	3.43/87	14.37/365	210	35/77
	600	2.00/50.8	3.00/76.2	14.00/356	14.12/359	9.17/233	4.09/104	21.65/550	190	56/123
	900	2.00/50.8	3.00/76.2	15.00/381	15.12/384	9.17/233	4.09/104	27.56/700	185	66/146
	1500	2.00/50.8	3.00/76.2	18.50/470	18.62/473	10.24/260	4.96/126	37.40/950	180	113/249
4"X3"X4"	150	3.00/76.2	4.00/101.6	9.00/229	9.50/241	9.65/245	4.33/110	21.65/550	630	46/101
	300	3.00/76.2	4.00/101.6	12.00/305	12.62/321	9.65/245	4.33/110	21.65/550	600	60/132
	600	3.00/76.2	4.00/101.6	17.00/432	17.12/435	10.67/271	4.92/125	27.56/700	560	95/209
	900	3.00/76.2	4.00/101.6	18.00/457	18.12/460	10.67/271	4.92/125	37.40/950	505	108/238
6"X4"X6"	150	4.00/101.6	6.00/152.4	15.50/394	16.00/406	11.18/284	5.55/141	21.65/550	925	81/179
	300	4.00/101.6	6.00/152.4	15.88/403	16.50/419	11.18/284	5.55/141	27.56/700	910	105/231

Fusion Series 432

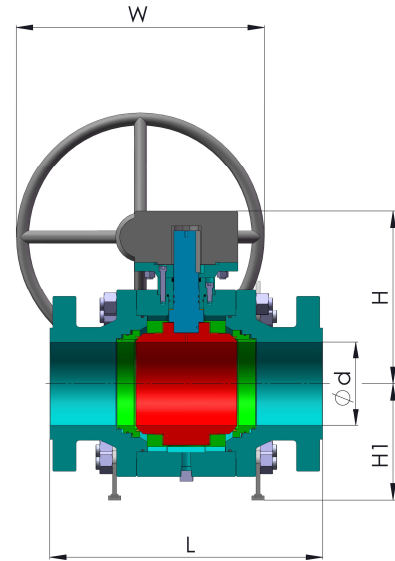
8"~24" RP Class 150 ~ 300

6"~24" RP Class 600

6"~12" RP Class 900

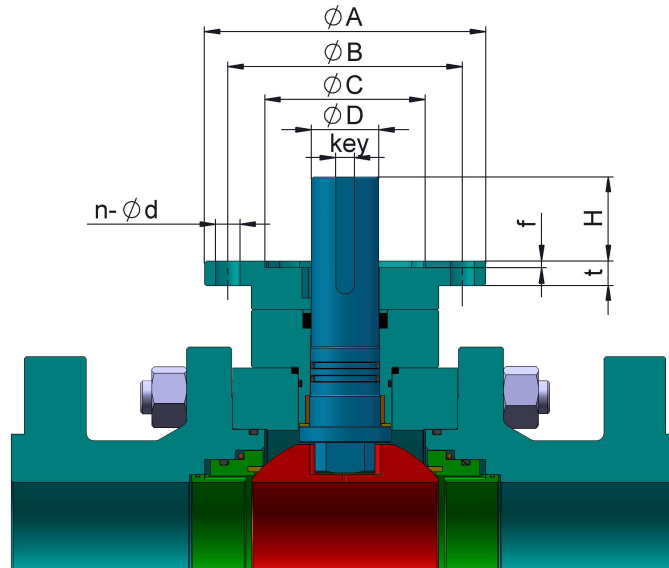
4"~12" RP Class 1500

FLANGED END CONNECTION



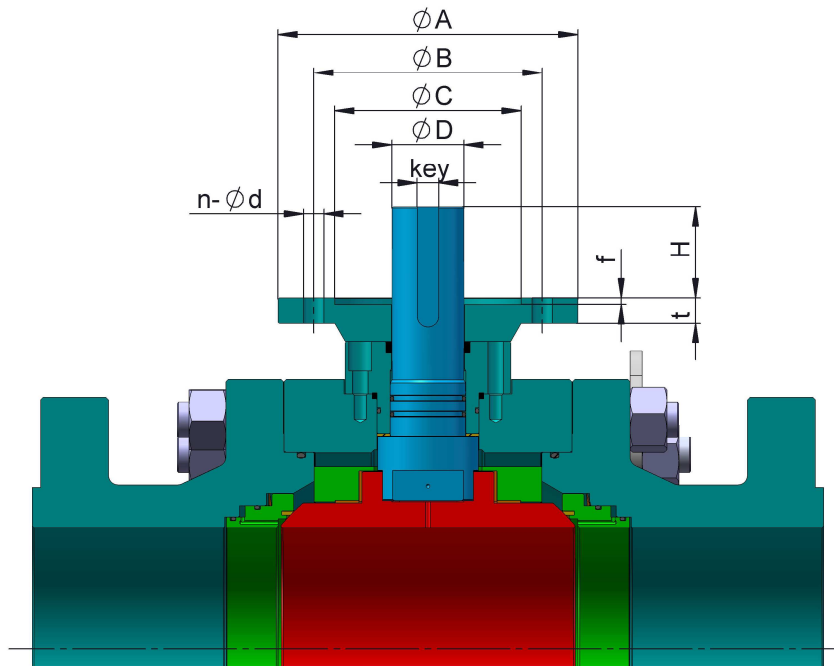
Weights and Dimensions:

SIZE	CLASS	d1	d	L(RF)	L(RTJ)	H	H1	W(rotork)	Cv	WEIGHT
in/mm		in/mm	in/mm	in/mm	in/mm	in/mm	in/mm	in/mm	gal/min	kg/Lbs
4"X3"X4"	1500	3.00/76.2	4.00/101.6	21.50/546	21.62/549	10.47/266	5.75/146	12.00/300	500	168/370
	600	4.00/101.6	6.00/152.4	22.00/559	22.12/562	10.35/263	5.91/150	12.00/300	800	185/407
6"X4"X6"	900	4.00/101.6	6.00/152.4	24.00/610	24.12/613	10.87/276	6.14/156	12.00/300	730	228/502
	1500	4.00/101.6	6.00/152.4	27.75/705	28.00/771	12.99/330	7.91/201	20.00/50	463	391/860
8"X6"X8"	150	6.00/152.4	8.00/203.2	18.00/457	18.50/470	11.33/288	6.73/171	12.00/300	2500	179/394
	300	6.00/152.4	8.00/203.2	19.75/502	20.37/518	11.33/288	6.73/171	12.00/300	2480	211/464
	600	6.00/152.4	8.00/203.2	26.00/660	26.12/664	12.40/315	7.52/191	20.00/500	2150	357/786
	900	6.00/152.4	8.00/203.2	29.00/737	29.12/740	13.50/343	8.11/206	20.00/500	2010	500/1100
	1500	5.75/146.0	7.63/194.0	32.75/832	33.13/842	12.01/305	8.31/211	16.00/400	1695	720/1587
10"X8"X10"	150	8.00/203.2	10.00/254.0	21.00/533	21.50/546	14.17/360	10.00/254	20.00/500	5000	320/704
	300	8.00/203.2	10.00/254.0	22.38/568	23.00/584	14.17/360	10.00/254	20.00/500	4990	381/838
	600	8.00/203.2	10.00/254.0	31.00/787	31.12/791	15.12/384	11.06/281	24.00/600	4500	620/1364
	900	8.00/203.2	10.00/254.0	33.00/838	33.12/841	16.97/431	11.89/302	20.00/500	4160	862/1896
	1500	7.63/194.0	9.50/241.0	39.00/991	39.38/1001	14.37/365	1.079/274	18.11/460	3573	1100/2425
12"X10"X12"	150	10.00/254.0	12.00/304.8	24.00/610	34.50/622	16.85/428	11.42/290	20.00/500	8400	528/1161
	300	10.00/254.0	12.00/304.8	25.50/648	26.12/664	16.85/428	11.89/302	20.00/500	8390	601/1322
	600	10.00/254.0	12.00/304.8	33.00/838	33.12/841	17.87/454	12.36/314	20.00/500	8000	959/2109
	900	10.00/254.0	12.00/304.8	38.00/965	38.12/968	19.25/489	13.94/354	20.00/500	7300	1426/3137
	1500	9.50/241.0	11.37/289.0	44.50/1130	45.12/1146	17.2/440	12.20/310	24.00/600	6356	2100/4630
14"X12"X14"	150	12.00/304.8	13.25/336.6	27.00/686	27.50/699	18.66/474	13.39/340	20.00/500	11260	777/1786
	300	12.00/304.8	13.25/336.6	30.00/762	30.62/778	18.66/474	13.39/340	20.00/500	10860	909/2000
	600	12.00/304.8	13.25/336.6	35.00/889	35.12/892	20.35/517	15.83/402	20.00/500	8950	1457/3205
16"X12"X16"	150	12.00/304.8	15.25/387.4	30.00/762	30.50/775	18.66/474	13.39/340	20.00/500	8890	1069/2351
	300	12.00/304.8	15.25/387.4	33.00/838	33.62/854	18.66/474	13.39/340	20.00/500	8630	1322/2908
	600	12.00/304.8	15.25/387.4	39.00/991	39.12/994	20.35/517	15.83/402	20.00/500	7650	1922/4228
18"X14"X18"	150	13.15/334.0	13.15/334.0	34.00/864	34.50/876	19.41/493	13.98/355	15.70/400	12500	1015/2233
	300	13.15/334.0	13.15/334.0	36.00/914	36.62/930	18.90/480	14.09/358	15.70/400	11800	1270/2794
	600	13.15/334.0	13.15/334.0	43.00/1092	43.12/1095	23.23/590	14.69/373	31.50/800	10890	1611/3544
20"X16"X20"	150	15.16/385.0	15.16/385.0	36.00/914	36.50/927	21.61/549	15.63/397	31.50/800	16350	1502/3304
	300	15.16/385.0	15.16/385.0	39.00/991	39.75/1010	21.61/549	15.79/401	31.50/800	16110	2058/4528
	600	15.16/385.0	15.16/385.0	47.00/1194	47.25/1200	22.95/583	16.22/412	31.50/800	15140	2090/4598
24"X20"X24"	150	19.17/487.0	19.17/487.0	42.00/1067	42.50/1080	27.17/690	19.29/490	31.50/800	26330	2508/5518
	300	19.17/487.0	19.17/487.0	45.00/1143	45.88/1165	27.17/690	19.29/490	31.50/800	26000	2785/6217
	600	19.17/487.0	19.17/487.0	55.00/1397	55.38/1407	28.54/725	19.49/495	31.50/800	25100	3318/7300



Actuator Mounting dimensions:

SIZE	CLASS	A	B	C	D	f	t	n-Ød	H	Key	ISO
in/mm		in/mm	in/mm	in/mm	in/mm	in/mm	in/mm	in/mm	in/mm	in/mm	5211#
2" 3"X2"X3"	150	4.92/125.0	4.02/102	2.76/70	0.87/22	0.12/3	0.39/10	4-0.43/4-11	1.06/27	0.24/6	F10
	300	4.92/125.0	4.02/102	2.76/70	0.87/22	0.12/3	0.39/10	4-0.43/4-11	1.06/27	0.24/6	F10
	600	5.91/150.0	4.92/125	3.35/85	1.10/28	0.12/3	0.51/13	4-0.51/4-13	1.46/37	0.32/8	F12
	900	5.91/150.0	4.92/125	3.35/85	1.10/28	0.12/3	0.51/13	4-0.51/4-13	1.46/37	0.32/8	F12
	1500	5.91/150.0	4.92/125	3.35/85	1.10/28	0.12/3	0.51/13	4-0.51/4-13	1.46/37	0.32/8	F12
	2500	6.89/175.0	5.51/140	3.96/100.5	1.26/32	0.20/5	0.67/17	4-0.67/4-17	2.24/57	0.39/10	F14
3" 4"X3"X4"	150	5.91/150.0	4.92/125	3.35/85	1.10/28	0.12/3	0.51/13	4-0.51/4-13	1.46/37	0.32/8	F12
	300	5.91/150.0	4.92/125	3.35/85	1.10/28	0.12/3	0.51/13	4-0.51/4-13	1.46/37	0.32/8	F12
	600	5.91/150.0	4.92/125	3.35/85	1.42/36	0.12/3	0.51/13	4-0.51/4-13	1.77/45	0.39/10	F12
	900	5.91/150.0	4.92/125	3.35/85	1.42/36	0.12/3	0.51/13	4-0.51/4-13	1.77/45	0.39/10	F12
	1500	6.89/175.0	5.51/140	3.94/100	1.42/36	0.16/4	0.67/17	4-0.67/4-17	2.36/60	0.39/10	F14
	2500	8.27/210.0	6.50/165	5.14/130.5	1.65/42	0.24/6	0.87/22	4-0.82/4-21	2.44/62	0.47-12	F16
4" 6"X4"X6"	150	5.91/150.0	4.92/125	3.35/85	1.42/36	0.12/3	0.51/13	4-0.51/4-13	1.77/45	0.39/10	F12
	300	5.91/150.0	4.92/125	3.35/85	1.42/36	0.12/3	0.51/13	4-0.51/4-13	1.77/45	0.39/10	F12
	600	6.89/175.0	5.51/140	3.94/100	1.65/42	0.16/4	0.67/17	4-0.67/4-17	2.36/60	0.47/12	F14
	900	6.89/175.0	5.51/140	3.94/100	1.65/42	0.16/4	0.67/17	4-0.67/4-17	2.36/60	0.47/12	F14
	1500	8.27/210.0	6.50/165	5.12/130	1.65/42	0.20/5	0.83/21	4-0.83/4-21	2.83/72	0.47/12	F16
	2500	9.84/250.0	7.5/190.5	6.12/155.5	1.89/48	0.24/6	0.83/21	8-0.67/8-17	3.58/91	0.55/14	FA19*
6" 8"X6"X8"	150	6.89/175.0	5.51/140	3.94/100	1.65/42	0.16/4	0.67/17	4-0.67/4-17	2.36/60	0.47/12	F14
	300	6.89/175.0	5.51/140	3.94/100	1.65/42	0.16/4	0.67/17	4-0.67/4-17	2.36/60	0.47/12	F14
	600	8.27/210.0	6.50/165	5.12/130	1.89/48	0.20/5	0.83/21	4-0.83/4-21	2.76/70	0.55/14	F16
	900	9.84/250.0	7.50/190.5	6.10/155	1.89/48	0.20/5	0.83/21	4-0.67/8-17	2.99/76	0.55/14	FA19*
	1500	7.87/200.0	6.50/165	5.12/130	2.17/55	0.20/5	0.55/14	4--0.83/4-21	3.15/80	0.55/14	F16



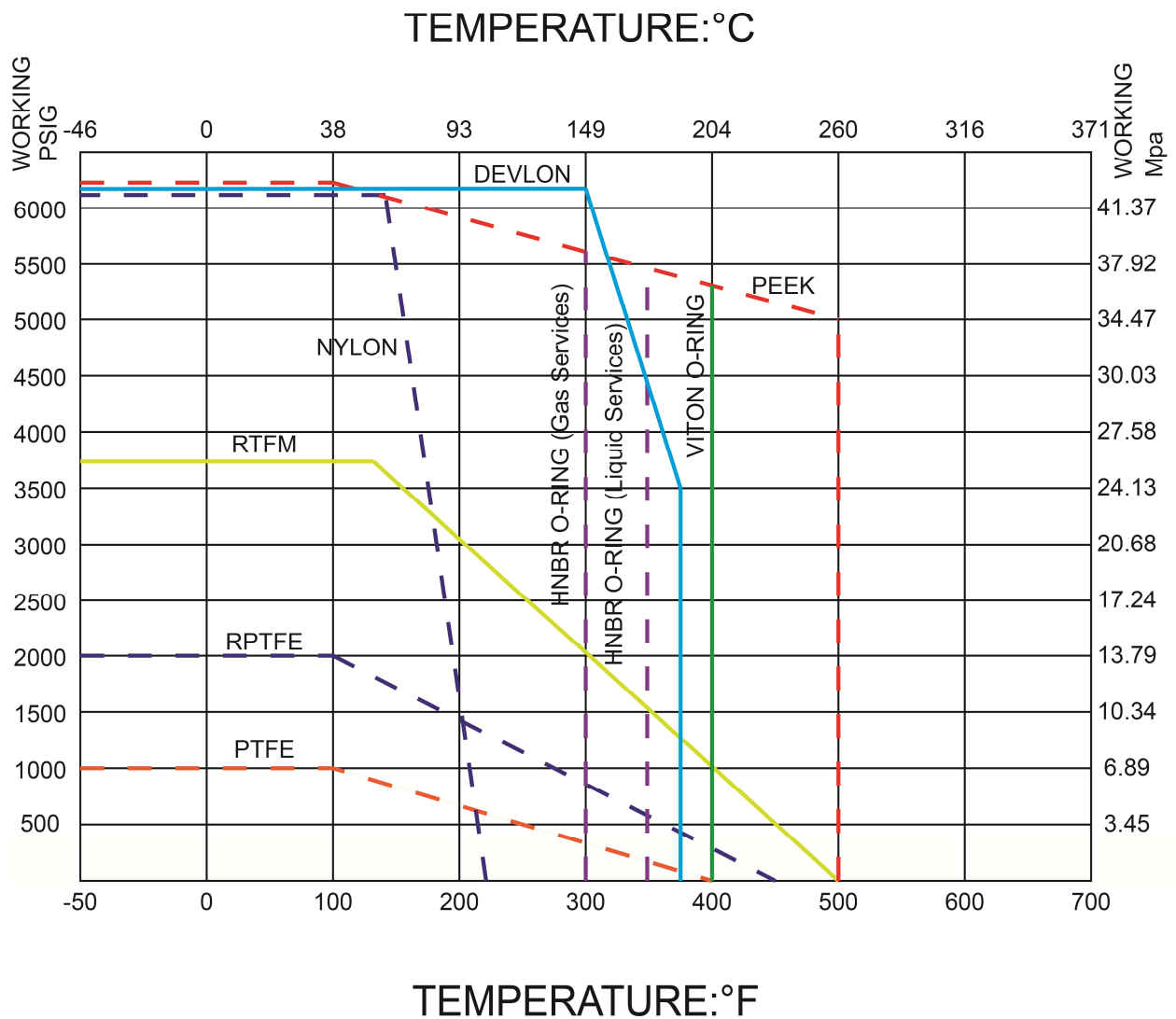
Actuator Mounting dimensions:

SIZE	CLAS	A	B	C	D	f	t	n-Ød	H	Key	ISO
in/mm	S	in/mm	in/mm	in/mm	in/mm	in/mm	in/mm	in/mm	in/mm	in/mm	5211#
8" 10"X8"X10"	150	9.84/250.0	7.50/190.5	6.10/155	2.36/60	0.20/5	0.83/21	8-0.67/8-17	2.99/76	0.71/18	FA19*
	300	9.84/250.0	7.50/190.5	6.10/155	2.36/60	0.20/5	0.83/21	8-0.67/8-17	2.99/76	0.71/18	FA19*
	600	9.84/250.0	7.50/190.5	6.10/155	2.36/60	0.20/5	0.83/21	8-0.67/8-17	2.99/76	0.71/18	FA19*
	900	11.81/300.0	10.00/254	7.84/200	2.36/60	0.20/5	0.83/21	8-0.67/8-17	2.99/76	0.71/18	F25
	1500	11.81/300.0	10.00/254	7.84/200	2.56/65	0.20/5	0.98/25	8-0.67/8-17	4.45/113	0.71/18	F25
10" 12"X10"X12"	150	11.81/300.0	10.00/254	7.84/200	2.83/72	0.20/5	0.83/21	8-0.67/8-17	2.99/76	0.79/20	F25
	300	11.81/300.0	10.00/254	7.84/200	2.83/72	0.20/5	0.83/21	8-0.67/8-17	2.99/76	0.79/20	F25
	600	11.81/300.0	10.00/254	7.84/200	2.83/72	0.20/5	0.83/21	8-0.67/8-17	2.99/76	0.79/20	F25
	900	11.81/300.0	10.00/254	7.84/200	2.83/72	0.20/5	0.83/21	8-0.67/8-17	2.99/76	0.79/20	F25
	1500	11.81/300.0	10.00/254	7.84/200	2.95/75	0.20/5	0.98/25	8-0.67/8-17	5.75/146	2-0.79/2-20	F25
12" 14"X12"X14" 16"X12"X16"	150	11.81/300.0	10.00/254	7.84/200	3.15/80	0.20/5	0.83/21	8-0.67/8-17	3.39/86	0.87/22	F25
	300	11.81/300.0	10.00/254	7.84/200	3.15/80	0.20/5	0.83/21	8-0.67/8-17	3.39/86	0.87/22	F25
	600	11.81/300.0	10.00/254	7.84/200	3.15/80	0.20/5	0.83/21	8-0.67/8-17	3.39/86	0.87/22	F25
	900	13.78/350.0	11.73/298	9.06/230	3.15/80	0.20/5	0.83/21	8-0.83/8-21	3.62/92	0.87/22	F30
	1500	13.78/350.0	11.73/298	9.06/230	3.62/92	0.20/5	1.18/30	8-0.83/8-21	5.16/131	2-0.98/2-25	F30
14" 18"X14"X18"	150	11.81/300.0	10.00/254	7.87/200	2.56/65	0.24/6	0.63/16	8-0.67/8-17	3.39/86	0.71/18	F25
	300	11.81/300.0	10.00/254	7.87/201	2.56/65	0.24/6	1.14/29	8-0.67/8-17	4.53/115	0.71/18	F25
	600	11.81/300.0	10.00/254	7.87/202	2.95/75	0.24/6	1.34/34	8-0.67/8-17	3.82/114	0.79/20	F25
16" 20"X16"X20"	150	13.78/350.0	11.73/298	9.06/230	3.94/100	0.24/6	0.91/23	8-0.83/8-21	3.82/97	1.10/28	F25
	300	13.78/350.0	11.73/298	9.06/230	3.94/100	0.24/6	0.91/23	8-0.83/8-21	4.45/97	1.10/28	F25
	600	13.78/350.0	11.73/298	9.06/230	3.94/100	0.24/6	0.91/23	8-0.83/8-21	3.94/100	1.10/28	F25
18"	150	11.81/300.0	10.00/254	7.87/200	2.95/75	0.24/6	1.46/37	8-0.67/8-17	5.55/141	0.79/20	F25
	300	11.81/300.0	10.00/254	7.87/200	2.95/75	0.24/6	1.46/37	8-0.67/8-17	5.35/136	0.79/20	F25
	600	13.78/350.0	11.73/298	9.06/230	3.62/92	0.24/6	1.46/37	8-0.87/8-22	5.51/140	0.98/25	F30
20" 24"X20"X24"	150	16.34/415	14.37/356	10.24/260	4.49/114	0.24/6	1.26/32	8-1.26/8-32	5.75/146	1.26/32	F25
	300	16.34/415	14.37/356	10.24/260	4.49/114	0.24/6	1.26/32	8-1.26/8-32	5.75/146	1.26/32	F25
	600	16.34/415	14.37/356	10.24/260	4.49/114	0.24/6	1.26/32	8-1.26/8-32	5.75/146	1.26/32	F30
24"	150	18.70/475	15.98/406	11.81/300	5.51/140	0.31/8	1.57/40	8-1.50/8-38	5.79/147	1.41/36	F25
	300	18.70/475	15.98/406	11.81/300	5.51/140	0.31/8	1.57/40	8-1.50/8-38	5.79/147	1.41/36	F30
	600	18.70/475	15.98/406	11.81/300	5.51/140	0.31/8	1.57/40	8-1.50/8-38	5.79/147	1.41/36	F35

Fusion Series 432

Pressure/Temperature Information:

PRESSURE/TEMPERATURE CURVE

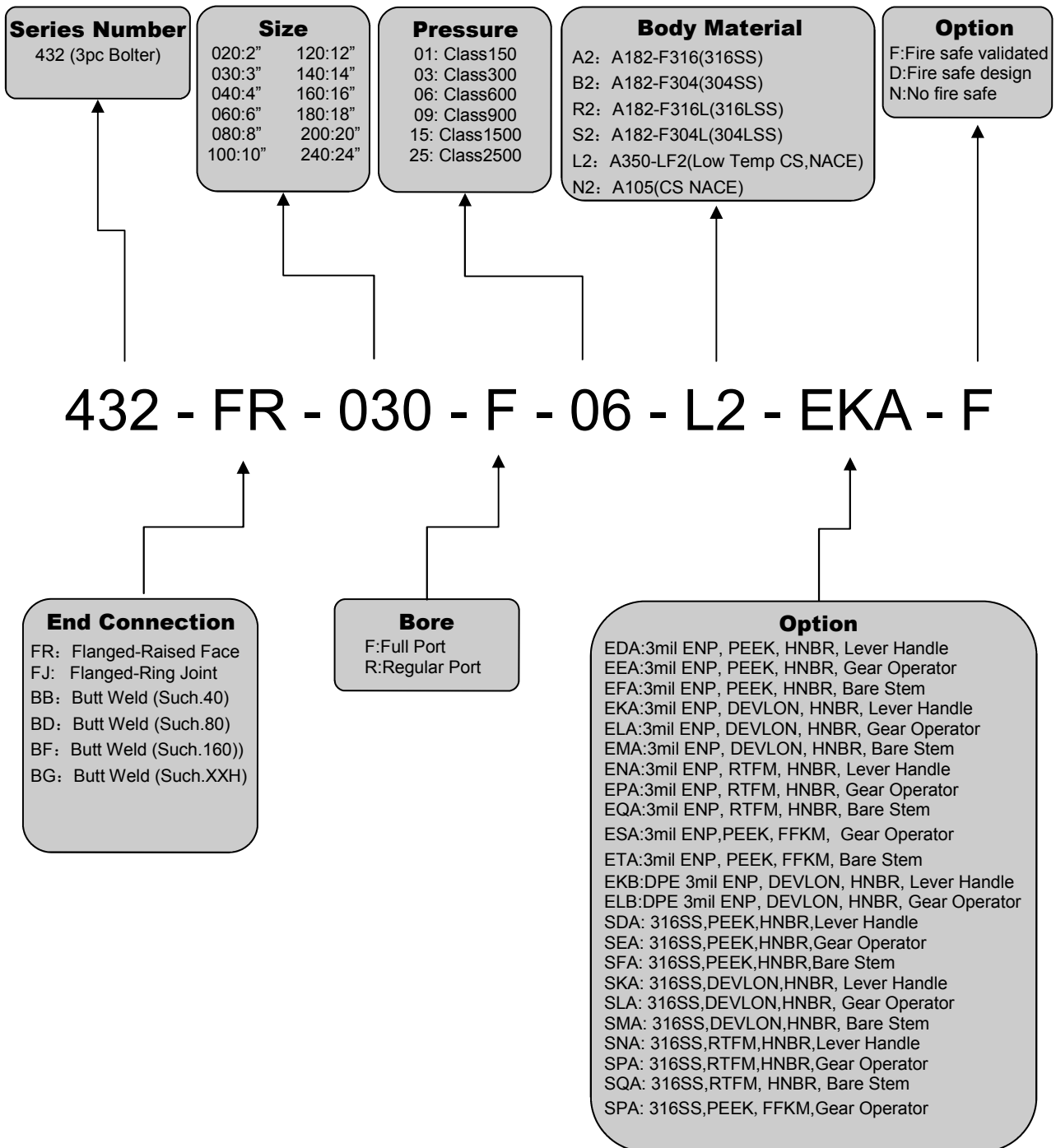


TORQUE DATA

Torque Data is published separately and available upon request. Please contact your local representative for details.

Fusion Series 432

Ordering Information:



Ordering Repair Kits

SK=Minor Repair Kit– includes all soft goods (Seat and Seals) only

MK=Major Repair Kit– includes all soft goods (Seat and Seals) Ball and Stem

The code "SK" or "MK" in the end connection field denotes either minor (SK) or major (MK) repair kit.

fusion

Fusion Series 432

ISO/API/CE Certificates:



Other Products Available



Fusion Flanged Floating Ball Valves
1/2"-6", ASME Class 150 - 600

Cast & Forged Steel Gate, Globe & Check Valves
1/4" - 24", ASME Class 150 - 1500



Fusion Floating Ball Valves
available in full stainless steel



Fusion Series 317 Isolator Valve
Venturi Port Design



FORTUNE CORPORATE CULTURE



INTEGRITY
LOYALTY
INNOVATION
SHARING

Fortune Branded Products

Ball Valves

Steel Ball valves

- >> 1-piece, 2-piece, 3-piece
- >> Threaded, Socket Welded and Flanged Connections
- >> Full and Standard Port configurations
- >> 1/4" to 6",
- >> Designed to ASME B16.34

Brass Ball Valves

- >> 2-piece Forged Brass Material
- >> Threaded and Solder Connections
- >> Full and Standard Port Configurations
- >> 1/4" to 4" -600 WOG (400 WOG for larger sizes)
- >> Various Handle Options
- >> CSA, UL, FM, and NSF61 approvals
- >> Designed and Tested to Mss-SP-110

Bronze Ball Valves

- >> 2-piece, 3-piece Cast Bronze Material
- >> Threaded and Solder Connections
- >> Full Port Configuration
- >> 1/4" to 4" -600 WOG (400 WOG for large sizes)
- >> Various Handle Options
- >> Designed and Tested to MSS-SP-110

Miscellaneous Valves

Butterfly Valves

- >> Cast Iron and Ductile Iron Material
- >> Lug and Wafer Style
- >> Al-Bronze, Cr-Plate DI, and CF8M Disks Available
- >> EPDM and Buna Seals Available
- >> Both Lever Handle and Gear Operator Options
- >> 2" to 24"- 200 W OG
- >> ISO5211 Mounting Flange Design

Gas Ball Valves

- >> 2-piece Brass Material
- >> Threaded and Flare Connections
- >> 3/8" to 1"- 400W OG
- >> CSA, UL, and NSF61 approvals
- >> Designed and Tested to MSS-SP-110

Low-Pressure Valves

- >> Hose Bibb, Boiler Drain, Sillcock, etc...
- >> Brass Material
- >> Both Quarter-Turn and Multi-turn Designs
- >> Various Connections
- >> 1/2" and 3/4"- 2 00W OG

Carbon and Stainless Steel Ball Valves

- >> 1-piece, 2-piece, and 3-piece Construction
- >> Carbon and Stainless Steel Body Materials
- >> Full and Regular Port Configurations
- >> 1/4" to 3" -1 0 00 WOG and 200WOG
- >> Designed and Tested to MSS-SP-110

Y-Strainers

- >> Cast Iron, Cast Bronze, and Carbon/Stainless Steel Materials
- >> Threaded, Solder, and Flanged Connections
- >> 1/2" to 2" - Cast Bronze in 300 WOG
- >> 1/2" to 2" - Cast Carbon/Stainless Steel in 200 WOG
- >> 2" to 24"- Cast Iron in Class 125
- >> Various Screen Mesh Sizes Available

Gate, Globe, and Check Valves

Brass, Gate and Swing Check Valves

- >> Brass Construction
- >> Threaded and Solder Connections
- >> 1/2" to 4" - 200WOG

Bronze Gate, Globe, and Check Valves

- >> Cast Bronze Construction
- >> Threaded and Solder Connections
- >> 1/2" to 4"- 200 W OG and 3 00 W OG
- >> Designed and Tested to MSS-SP-80

Cast Iron Gate, Globe and Check Valves

- >> Cast Iron Material
- >> Flanged Connection
- >> 2" to 24"- Class 125
- >> Designed and Tested to MSS-SP-70/85/71
- >> Both OS&Y and NRS Options for Gate Valve
- >> Epoxy-Coated Gate Valve Optional
- >> ANSI, DIN, JIS Standards Available



Fortune Mfg Co., Ltd.

11F, No.222, Sec.5, Nanjing E. Road
Taipei, Taiwan
R.O.C
Tel:886-2-27649008
Fax:886-2-27609515
sales@fortunevalve.com

Archmetal Industries Corp.

140-6251 Graybar Road
Richmond B.C
Canada V6W 1H3
Tel:(604)270-3773
Fax:(604)270-3012
info@fortunevalve.com

Fortune Valve USA Inc.

7505 Bluff Point Drive, Suite 100
Houston, Texas 77086
USA
Tel:1-281-895-6200
Fax:1-281-895-6201

Fortune Valve Canada Inc.

8790-51 Ave.
Edmonton, AB
Canada, T6E 5E8
Tel:1-780-468-9696
Fax:1-780-468-0096