

A Long Experience in Energy Equipment and one Goal:

The Customer's satisfaction.



CHECK VALVES

*Bolted Bonnet - Full Opening -
Pressure Seal -
Wafer Dual Plate,
Single Plate & Tilting Disc.*



Swing Check Valves Bolted Bonnet

1

Design construction. BS 1868 - ANSI B16.34 Testing according to API 598 - BS 6755
Marking according to MMS SP25

2

Flanges according to:
ANSI B16.25 for DN 2" to 24" - ASME B16.47 for size DN>26"
Butt Welding Ends according to ANSI B 16.25 Face to face according to ANSI B16.10
Butt Welding Ends according to ANSI B 16.25

3

Dash dot or counter weight on request
Tilting disc design on request

4

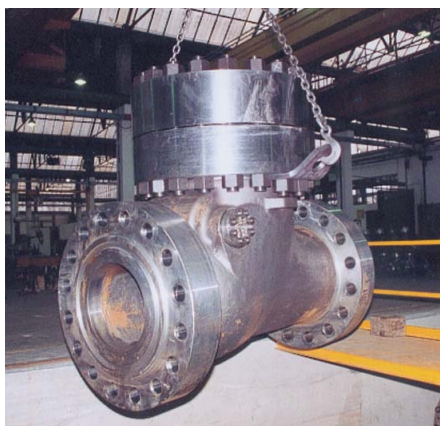
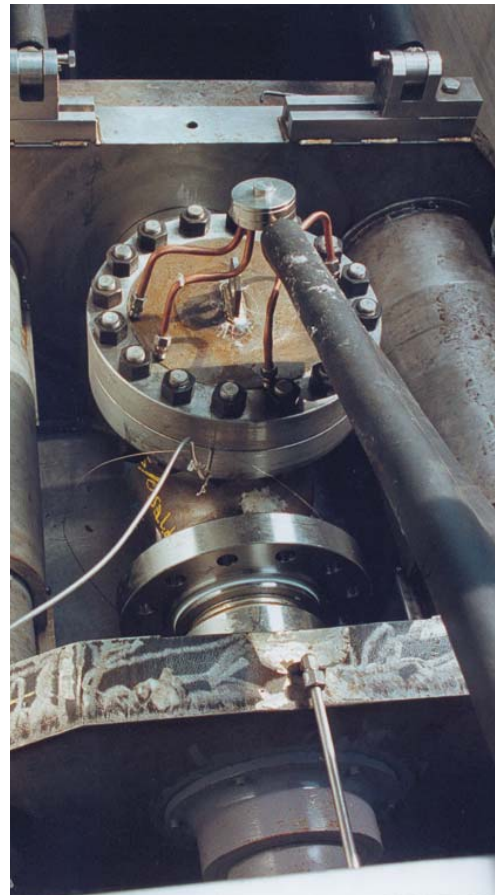
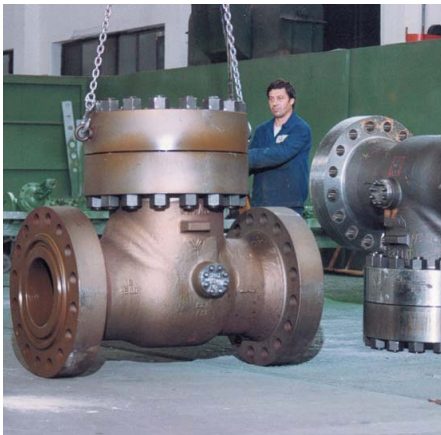
Spiral-wound gasket for: Classes 150,300 and 600 lbs
Oval ring joint for: Classes 900, 1500 and 2500 lbs
Screwed in seat

5

Soft seat design on request
Support legs only on request
Sub sea application on request

6

For pressure temperature
rating see technical data



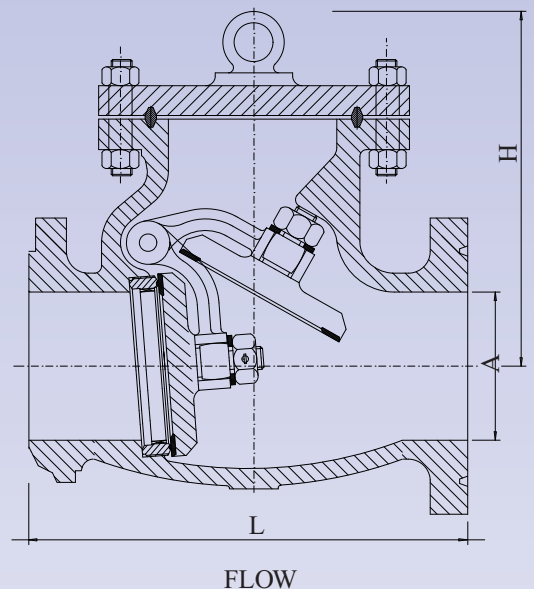
Swing Check Valves Bolted Bonnet

Class ANSI 150

size	inch	2	3	4	6	8	10	12	14	16	18	20	24	26	30	32	36	48
	mm	50	80	100	150	200	250	300	350	400	450	500	600	650	750	800	900	1200
A		51	76	102	152	203	254	305	337	388	438	489	591	635	762	800	895	1162
H		164	196	204	259	300	352	384	437	480	533	555	615	615	781	821	929	1371
L BW - RF		203	241	292	356	495	622	698	787	864	978	978	1295	1295	1524	1372	1956	2540
Weight RF kg		19,5	33	46	84	143	225	328	370	495	626	770	1304	1460	2130	2276	3050	6700
Weight BW kg		16	26,5	38	72	128	189	297	340	430	550	680	1205	1360	1850	1950	2620	6000
Figure		1H	1H	1H	1H	1H	1H	1H	1H	1H	1H	1H	1H	1H	1H	1H	1H	1H
		602	603	604	606	608	610	612	614	616	618	620	624	626	630	632	636	640

Class ANSI 300

size	inch	2	3	4	6	8	10	12	14	16	18	20	24	30	34	36
	mm	50	80	100	150	200	250	300	350	400	450	500	600	750	850	900
A		51	76	102	152	203	254	305	337	388	432	483	584	737	832	876
H		190	233	262	304	348	410	448	474	545	594	619	701	948	1092	1092
L BW - RF		267	318	366	444	533	622	711	832	864	978	1016	1346	1594	2063	2083
Weight RF kg		24	45	71	125	210	325	479	575	725	965	1145	1830	3335	5250	5730
Weight BW kg		19	31	54	97	173	279	394	465	585	810	925	1520	2805	5070	5070
Figure		3H	3H	3H	3H	3H	3H	3H	3H	3H	3H	3H	3H	3H	3H	3H
		602	603	604	606	608	610	612	614	616	618	620	624	630	634	636



Class ANSI 600

size	inch	2	3	4	6	8	10	12	14	16	18	20	24	26	28	30	36	40	42	48	56
	mm	50	80	100	150	200	250	300	350	400	450	500	600	650	700	750	900	1000	1050	1200	1400
A		51	76	102	152	203	248	305	327	375	419	464	559	635	700	737	876	991	1022	1168	1365
H		202	250	301	363	432	498	550	578	660	791	805	899	1057	1210	1044	1297	1305	1550	1600	1800
L BW - RF		292	355	432	559	660	788	838	889	991	1092	1194	1397	1448	1547	1651	2083	2000	2438	2540	2794
L RTJ		295	359	435	562	664	791	841	892	994	1095	1200	1407	1461	1560	1664	2098	-	-	-	-
Weight RF kg		34	64	114	215	400	596	788	1060	1431	2090	2455	3630	4020	5780	5640	9570	12700	13500	19000	26800
Weight BW kg		30	53	91	181	340	485	665	905	1190	1825	2085	3035	3760	5100	5180	8720	11600	12400	-	-
Figure		6H	6H	6H	6H	6H	6H	6H	6H	6H	6H	6H	6H	6H	6H	6H	6H	6H	6H	6H	6H
		602	603	604	606	608	610	612	614	616	618	620	624	626	628	630	636	640	642	648	656

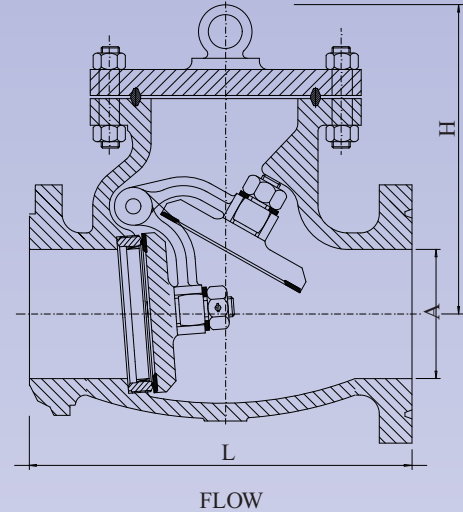
Class ANSI 900

size	inch	3	4	6	8	10	12	14	16	18	20	24	30	40	42
	mm	80	100	150	200	250	300	350	400	450	500	600	750	1000	1050
A		73	98	146	191	238	283	311	375	425	473	572	714	914	965
H		284	346	414	488	571	611	611	831	1011	1059	1230	1503	1825	2231
L BW-RF		381	457	610	737	838	965	1029	1130	1219	1320	1549	1905	2464	2620
L RTJ		384	460	613	740	841	968	1038	1140	1232	1334	1568	1927	-	2641
Weight RF kg		89	163	325	548	868	1560	1980	2360	3020	3750	5600	9400	25000	28000
Weight BW kg		73	137	256	446	763	1370	1755	2045	2340	2900	4310	7410	22500	25100
Figure		9R	9R	9R	9R	9R	9R	9R	9R	9R	9R	9R	9R	9R	9R
		603	604	606	608	610	612	614	616	618	620	624	630	640	642

Swing Check Valves Bolted Bonnet

Class ANSI 1500

size	inch	2	3	4	6	8	10	12	14	16	18	20	24
	mm	50	80	100	150	200	250	300	350	400	450	500	600
A		48	70	92	137	178	222	264	289	330	371	416	498
H		283	330	400	505	590	685	830	930	1040	1120	1230	1450
L BW - RF		368	470	546	705	832	991	1130	1257	1384	1537	1664	1943
L RTJ		371	473	549	711	841	1001	1146	1276	1407	1559	1686	1972
Weight RF kg		84	146	260	590	992	1662	2510	2900	3700	5400	6800	10250
Weight BW kg		67	119	226	500	843	1412	2180	2350	3015	4580	5600	8350
Figure		15R	15R	15R	15R	15R	15R	15R	15R	15R	15R	15R	15R
		602	603	604	606	608	610	612	614	616	618	620	624



Class ANSI 2500

size	inch	2	3	4	6	8	10	12
	mm	50	80	100	150	200	250	300
A		38	57	73	111	146	184	219
H		343	413	540	640	820	980	1100
L BW-RF		451	578	673	914	1022	1270	1422
L RTJ		454	584	683	927	1038	1292	1445
Weight RF kg		160	270	515	1110	1930	3150	3800
Weight BW kg		125	200	435	850	1490	2560	2800
Figure		25R	25R	25R	25R	25R	25R	25R
		602	603	604	606	608	610	612

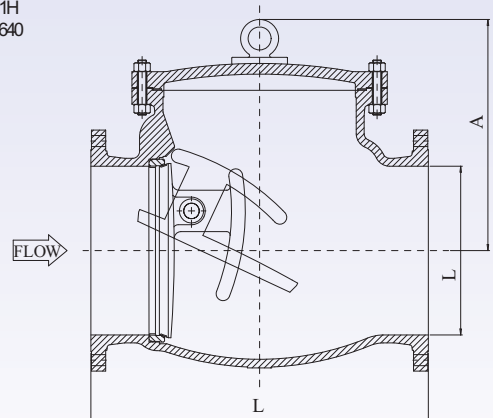
Check Valves Bolted Bonnet Tilting Disc Type

Class ANSI 150

size	inch	2	3	4	6	8	10	12	14	16	18	20	24	26	30	32	36	48
	mm	50	80	100	150	200	250	300	350	400	450	500	600	650	750	800	900	1200
A		51	76	102	152	203	254	305	337	388	438	489	591	635	762	800	895	1162
H		164	196	204	259	300	352	384	437	480	533	555	615	615	781	821	929	1371
L BW - RF		203	241	292	356	495	622	688	787	864	978	978	1295	1295	1524	1372	1956	2540
Weight RF kg		195	33	46	84	143	225	328	370	495	626	770	1304	1460	2130	2276	3050	6700
Weight BW kg		16	26,5	38	72	128	189	297	340	430	550	680	1205	1360	1085	1950	2620	6000
Figure		1H	1H	1H	1H	1H	1H	1H	1H	1H	1H	1H	1H	1H	1H	1H	1H	1H
		602	603	604	606	608	610	612	614	616	618	620	624	626	630	632	636	640

Class ANSI 300

size	inch	2	3	4	6	8	10	12	14	16	18	20	24	30	34	36
	mm	50	80	100	150	200	250	300	350	400	450	500	600	750	850	900
A		51	76	102	152	203	254	305	337	388	432	483	584	737	832	876
H		190	233	262	304	348	410	448	474	545	594	619	701	948	1092	1092
L BW-RF		267	318	283	356	444	533	622	711	832	864	978	1016	1594	2083	2083
Weight RF kg		24	45	71	125	210	325	479	575	725	965	1145	1830	3335	5250	5730
Weight BW kg		19	31	54	97	173	279	394	465	585	810	925	1520	2805	5070	5070
Figure		3H	3H	3H	3H	3H	3H	3H	3H	3H	3H	3H	3H	3H	3H	3H
		602	603	604	606	608	610	612	614	616	618	620	624	630	634	636



Check Valves Bolted Bonnet Tilting Disc Type

Class ANSI 600

size	inch	2	3	4	6	8	10	12	14	16	18	20	24	26	28	30	36	40
	mm	50	80	100	150	200	250	300	350	400	450	500	600	650	700	750	900	1000
A		51	76	102	152	203	248	305	327	375	419	464	559	635	700	737	876	991
H		202	250	301	363	432	498	560	578	660	791	805	899	1057	1210	1044	1297	1305
L BW-RF		292	355	432	559	660	788	838	889	991	1092	1194	1397	1448	1547	1651	2083	2000
L RTJ		295	359	435	562	664	791	841	892	994	1095	1200	1407	1461	1560	1664	2098	-
Weight RF kg		34	64	114	215	400	596	788	1060	1431	2090	2455	3630	4020	5780	5640	9570	12700
Weight BW kg		30	53	91	181	340	485	665	905	1190	1825	2085	3035	3760	5100	5180	8720	11600
Figure		6H	6H	6H	6H	6H	6H	6H	6H	6H	6H	6H	6H	6H	6H	6H	6H	6H
		602	603	604	606	608	610	612	614	616	618	620	624	626	628	630	636	640

Class ANSI 900

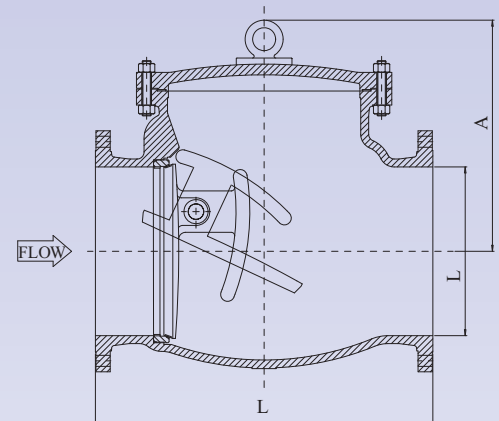
size	inch	3	4	6	8	10	12	14	16
	mm	80	100	150	200	250	300	350	400
A		73	98	146	191	238	293	311	375
H		284	346	414	488	571	611	611	831
L BW - RF		381	457	610	737	938	965	1029	1130
L RTJ		384	460	613	740	841	968	1038	1140
Weight RF kg		89	163	325	548	868	1500	1980	2360
Weight BW kg		73	137	256	446	763	1370	1755	2045
Figure		9R	9R	9R	9R	9R	9R	9R	9R
		603	604	606	608	610	612	614	616

Class ANSI 1500

size	inch	2	3	4	6	8	10	12	14	16	18	20	24
	mm	50	80	100	150	200	250	300	350	400	450	500	600
A		48	70	92	137	178	222	264	289	330	371	416	498
H		283	330	400	505	590	685	830	980	1040	1120	1230	1450
L BW-RF		368	470	546	705	832	991	1130	1257	1384	1537	1664	1943
L RTJ		371	473	549	711	841	1001	1146	1276	1407	1559	1686	1972
Weight RF kg		84	146	260	590	992	1662	2510	2900	3700	5400	6800	10250
Weight BW kg		67	119	226	500	843	1412	2180	2350	3015	4580	5600	8350
Figure		15R	15R	15R	15R	15R	15R	15R	15R	15R	15R	15R	15R
		602	603	604	606	608	610	612	614	616	618	620	624

Class ANSI 2500

size	inch	2	3	4	6	8	10	12
	mm	50	80	100	150	200	250	300
A		38	57	73	111	146	184	219
H		343	413	540	640	820	980	1100
L BW-RF		451	578	673	914	1022	1270	1422
L RTJ		454	584	683	927	1038	1292	1445
Weight RF kg		160	270	515	1110	1930	3150	3800
Weight BW kg		125	200	435	850	1490	2560	2800
Figure		25R	25R	25R	25R	25R	25R	25R
		602	603	604	606	608	610	612



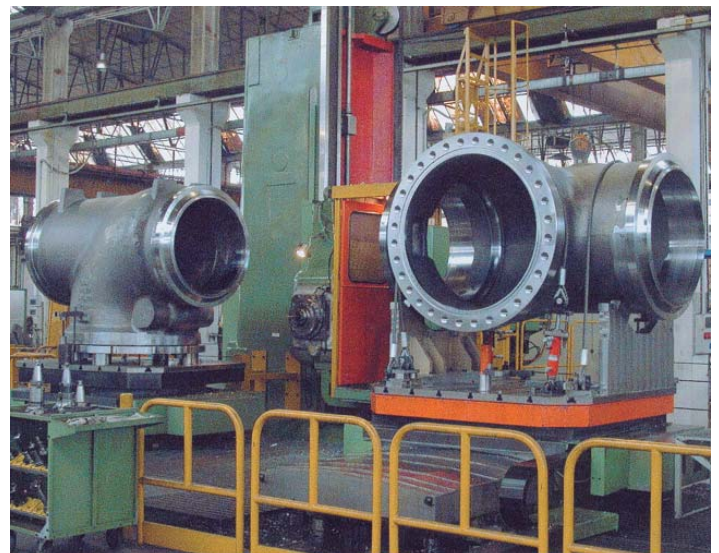
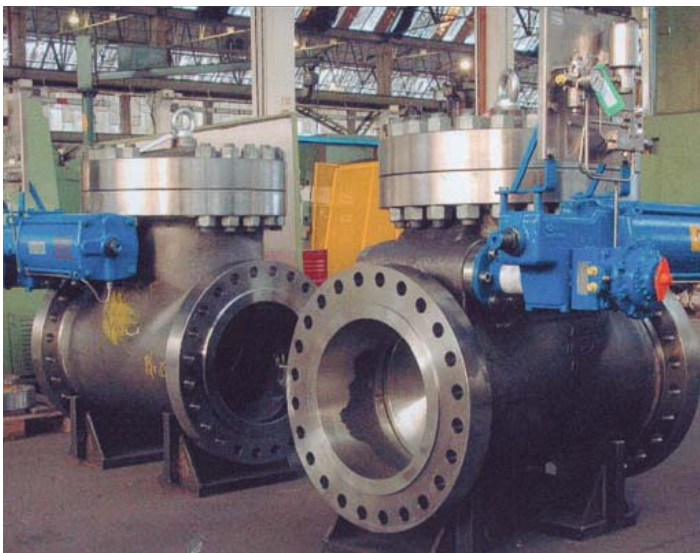
Swing Check Valves Full Opening

1 Design construction: API 6D - ANSI B16.34
Testing according to API 6D
Marking according to MMS SP25 - API6D

2 Flanges according to:
ANSI B16.5 for size 2" to 24" - ASME B16.47 for size >26"
Butt Welding Ends according to ANSI B 16.25
Face to face according to API 6D

3 Dash pot or counter weight on request
Spiral wound gasket for
Classes ANSI 150,300 and 600 lbs
Oval ring joint gasket for Classes ANSI 900,1500 and 2500 lbs

4 Screwed in seat
Soft seat design on request
Sub sea application on request
For pressure temperature rating see technical data



Swing Check Valves Full Opening

Class ANSI 150

size inch	2	3	4	6	8	10	12	14	16	18	20	24	26	30	32	36	40	48
A	51	76	102	152	203	254	305	337	387	438	489	591	635	762	800	895	997	1162
H	164	196	204	259	300	352	384	437	480	533	555	615	615	781	821	929	1095	1371
L BW-RF	203	241	292	356	495	622	698	787	864	978	978	1295	1295	1524	1372	1966	1966	2540
Weight RF Kg	20	34	50	87	158	240	345	365	490	620	846	1300	1450	2120	2260	3040	4950	8700
Weight BW kg	15	25	40	75	140	190	275	335	425	540	755	1200	1350	1830	1940	2680	4210	6800

Class ANSI 300

size inch	2	3	4	6	8	10	12	14	16	18	20	24	30	32	36	40	42	48
A	51	76	102	152	203	254	305	337	387	438	489	591	737	832	876	978	1022	1168
H	210	245	280	330	443	510	550	524	574	617	648	820	948	1092	1120	1180	1240	1435
L BW-RF	267	318	356	444	533	622	711	838	864	978	1016	1346	1594	2083	2083	2096	2096	2540
Weight RF Kg	24	48	71	139	238	360	486	620	715	955	1140	1820	3330	4650	5250	8500	11000	16800
Weight BW kg	20	34	52	110	200	320	365	500	590	800	920	1510	2800	5200	4670	7450	9700	14500

Class ANSI 600

size inch	2	3	4	6	8	10	12	14	16	18	20	24	26	30	36	40	42	48	56
A	51	76	102	152	203	254	305	337	375	438	489	591	635	737	876	978	1022	1168	1365
H	284	313	367	438	512	568	649	610	692	760	920	1044	1144	1044	1297	1305	1550	1600	1800
L BW-RF	292	355	432	559	660	788	838	889	991	1092	1194	1397	1448	1651	2083	2096	2096	2540	2794
L RTJ	295	359	435	562	664	791	841	892	994	1095	1200	1407	1461	1664	2098	-	-	-	-
Weight RF Kg	38	64	120	215	420	570	788	1060	1440	1695	2600	3630	4020	5880	10450	12400	13500	19000	26300
Weight BW kg	30	53	95	181	360	460	665	905	1200	1430	2230	3035	3760	5420	9600	11200	12400	-	-

Class ANSI 900

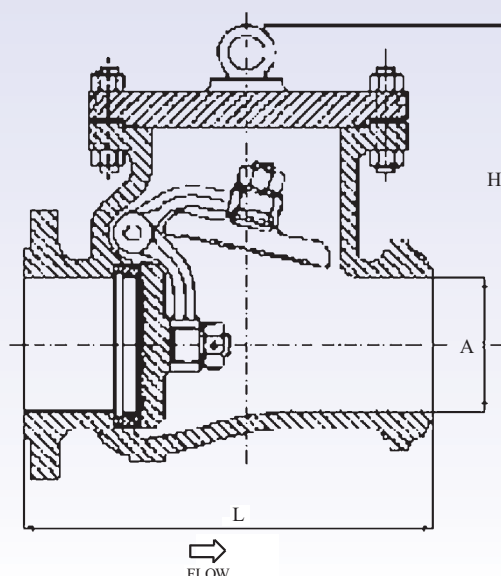
size inch	3	4	6	8	10	12	14	16	18	20	22	24	26	28	30	36	40	42
A	76	102	152	203	254	305	311	375	425	473	524	533	635	667	714	857	914	965
H	317	375	455	540	571	706	706	871	977	1019	1190	1190	1200	1200	1463	1625	1825	1991
L BW-RF	381	457	610	737	838	965	1029	1130	1219	1321	1435	1549	1575	1905	2210	2664	2620	-
L RTJ	384	460	613	740	841	968	1038	1140	1232	1334	1448	1568	-	-	-	-	-	-
Weight RF Kg	90	173	292	548	944	1560	1660	2120	3020	3750	4900	5600	6600	8610	9400	18000	25000	28000
Weight BW kg	75	145	225	446	840	1370	1440	1810	2340	2900	4050	4310	6050	6880	7410	15800	22500	25100

Class ANSI 1500

size inch	2	3	4	6	8	10	12	14	16	18	20	24
A	76	76	102	146	194	241	289	318	362	407	457	533
H	283	330	400	510	590	685	830	940	1050	1140	1257	1510
L BW-RF	368	470	546	705	832	991	1130	1257	1384	1537	1664	1943
L RTJ	371	473	549	711	841	1001	1146	1276	1407	1559	1686	1972
Weight RF Kg	84	140	250	536	942	1750	2350	2950	3800	5500	6900	10250
Weight BW kg	67	115	215	480	843	1500	2020	2400	3115	4680	5600	8350

Class ANSI 2500

size inch	2	3	4	6	8	10	12
A	45	57	89	133	181	225	267
H	343	415	580	660	920	1100	1210
L BW-RF	451	578	673	914	1022	1270	1422
L RTJ	454	584	683	927	1038	1292	1445
Weight RF Kg	155	280	520	1120	1900	3200	3800
Weight BW kg	120	205	440	840	1460	2510	2800



Swing Check Valves Pressure Seal

1 Design construction: ANSI B16.34
Testing according to API 598 - BS 6755
Marking according to MMS SP25

2 Flanges according to:
Butt Welding Ends according to ANSI B 16.25
Face to face according to ANSI B16.10
Welding seat design

3 Dimensions of class ANSI 4500 only on request
Tilting disc design on request
Sub sea application on request
For pressure temperature rating see technical data

4 Special design in forged material.
Available for 6" and larger



Swing Check Valves Pressure Seal

Class ANSI 600

size	inch	2	3	4	6	8	10	12	14	16	18	20	24
	mm	50	80	100	150	200	250	300	350	400	450	500	600
A		51	76	102	152	200	248	299	327	375	419	464	559
H		185	224	300	375	410	510	610	620	760	777	850	920
L BW		178	254	305	457	584	711	813	889	991	1092	1194	1397
L RF		292	356	432	559	660	787	838	889	991	1092	1194	1397
Weight RF kg		18	35	72	170	280	475	680	810	1160	1610	2210	3100
Weight BW kg		12	25	42	120	195	360	490	620	950	1350	1910	2650
Figure		6P	6P	6P	6P	6P	6P	6P	6P	6P	6P	6P	6P
		602	603	604	606	608	610	612	614	616	618	620	624

Class ANSI 900

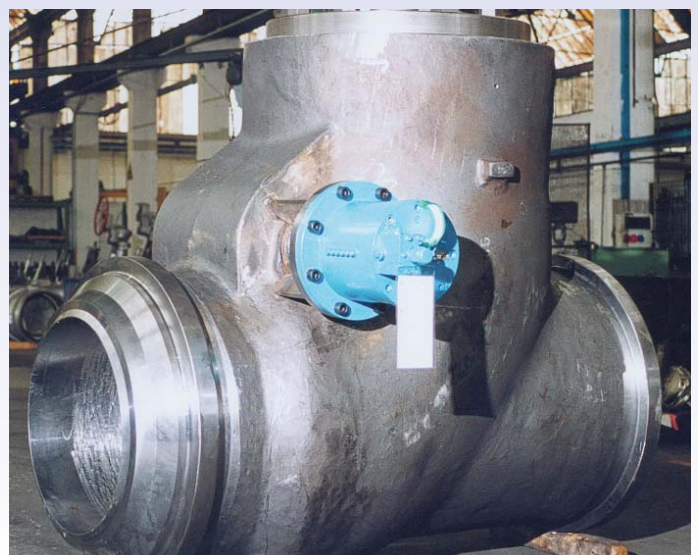
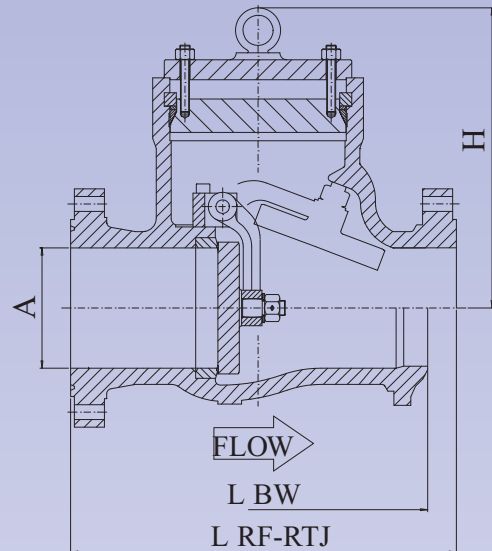
size	inch	3	4	6	8	10	12	14	16	20	24	28
	mm	80	100	150	200	250	300	350	400	500	600	700
A		73	98	146	191	238	283	311	366	445	533	622
H		290	321	330	427	507	600	632	701	850	1124	1100
L BW		305	356	508	660	787	914	991	1092	1321	1549	1575
L RF		381	457	610	737	838	965	1029	1130	1321	1549	-
Weight RF kg		87	112	235	370	550	840	1030	1680	2850	4100	-
Weight BW kg		72	80	160	250	370	630	850	1380	2350	3450	4100
Figure		9P	9P	9P	9P	9P	9P	9P	9P	9P	9P	9P
		603	604	606	608	610	612	614	616	620	624	628

Class ANSI 1500

size	inch	2	3	4	5	6	8	10	12	14	16	20	24
	mm	50	80	100	130	150	200	250	300	350	400	500	600
A		48	70	92	111	137	178	222	264	289	330	416	498
H		233	290	365	435	410	470	585	622	710	826	960	1140
L BW		216	305	406	483	559	711	864	991	1067	1194	1664	1943
L RF		368	470	546	673	705	832	991	1130	1257	1384	1664	1943
Weight RF kg		51	110	171	348	410	685	1335	2120	2870	3420	4500	5700
Weight BW kg		39	87	130	197	316	540	1050	1780	2320	2650	3200	3900
Figure		15P	15P	15P	15P	15P	15P	15P	15P	15P	15P	15P	15P
		602	603	604	605	606	608	610	612	614	616	620	624

Class ANSI 2500

size	inch	2	3	4	6	8	10	12	14	16
	mm	50	80	100	150	200	250	300	350	400
A		38	57	73	111	146	184	219	241	276
H		223	303	318	473	493	646	761	677	841
L BW		279	368	457	610	762	914	1041	1117	1244
L RF		451	578	673	914	1022	1270	1422	-	-
Weight RF kg		75	145	250	520	950	1540	2510	-	-
Weight BW kg		60	86	150	292	480	906	1600	3360	-
Figure		25P	25P	25P	25P	25P	25P	25P	25P	25P
		602	603	604	606	608	610	612	614	616



Check Valves Pressure Seal Tilting Disc Type

Class ANSI 600

size	inch	2	3	4	6	8	10	12	14	16	18	20	24
	mm	50	80	100	150	200	250	300	350	400	450	500	600
A		51	76	102	152	200	248	299	327	375	419	464	559
H		185	224	300	375	410	510	610	620	760	777	850	920
L BW		178	254	305	457	584	711	813	889	991	1092	1194	1397
L RF		292	356	432	559	660	787	838	889	991	1092	1194	1397
Weight RF kg		18	35	72	170	280	475	680	810	1160	1610	2210	3100
Weight BW kg		12	25	42	120	195	360	490	620	950	1350	1910	2650
Figure		6P	6P	6P	6P	6P	6P	6P	6P	6P	6P	6P	6P
		602	603	604	606	608	610	612	614	616	618	620	624

Class ANSI 900

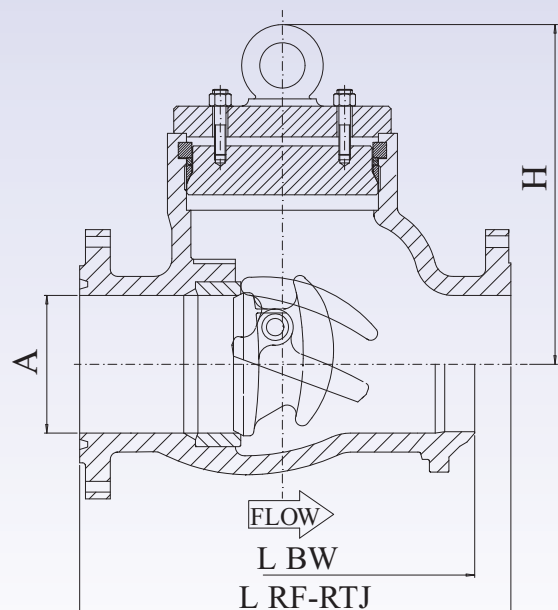
size	inch	3	4	6	8	10	12	14	16	20	24
	mm	80	100	150	200	250	300	350	400	500	600
A		73	98	146	191	238	283	311	356	445	533
H		290	321	330	427	507	600	632	701	850	1124
L BW		305	356	508	660	787	914	991	1092	1321	1549
L RF		381	457	610	737	838	965	1029	1130	1321	1549
Weight RF kg		87	112	235	370	550	840	1090	1680	2850	4100
Weight BW kg		72	80	160	250	370	630	850	1380	2350	3450
Figure		9P	9P	9P	9P	9P	9P	9P	9P	9P	9P
		603	604	606	608	610	612	614	616	620	624

Class ANSI 1500

size	inch	2	3	4	5	6	8	10	12	14	16	20	24
	mm	50	80	100	130	150	200	250	300	350	400	500	600
A		48	70	92	111	137	178	222	264	289	330	416	498
H		233	290	365	435	410	470	595	622	710	826	960	1140
L BW		216	305	406	483	559	711	864	991	1067	1194	1664	1943
L RF		368	470	546	673	705	832	991	1130	1257	1384	1664	1943
Weight RF kg		51	110	171	348	410	685	1335	2120	2870	3420	4500	5700
Weight BW kg		39	87	130	197	316	540	1050	1780	2320	2650	3200	3900
Figure		15P	15P	15P	15P	15P	15P	15P	15P	15P	15P	15P	15P
		602	603	604	605	606	608	610	612	614	616	620	624

Class ANSI 2500

size	inch	2	3	4	6	8	10	12	14	16
	mm	50	80	100	150	200	250	300	350	400
A		38	57	73	111	146	184	219	241	276
H		223	303	318	473	493	646	761	677	841
L BW		279	368	457	610	762	914	1041	1117	1244
L RF		451	578	673	914	1022	1270	1422	-	-
Weight RF kg		75	145	250	520	950	1540	2510	-	-
Weight BW kg		60	86	150	292	480	906	1600	3360	-
Figure		25P	25P	25P	25P	25P	25P	25P	25P	25P
		602	603	604	606	608	610	612	614	616





Wafer Check Valves

Dual Plate, Single Plate & Tilting Disc

1 Design Construction API 594 - Design Pipeline Valves API 6D
Design Production API 6A - Testing According to API 598
Fire Safe Design BS6755-2 AND API 6FA
Marking according to MSS-SP25

2 Wafer, Fully Lugged
and Flanged according to
ANSI B16.5 for size 2" to 24"
ASME B16.47 for size E 26"

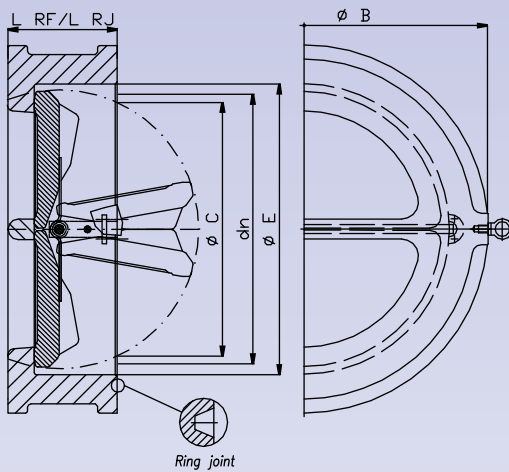
3 Bolts, Nuts, Gasket and
Flange Line at request

4 Screwed seat at request where applicable
Soft seat design on request

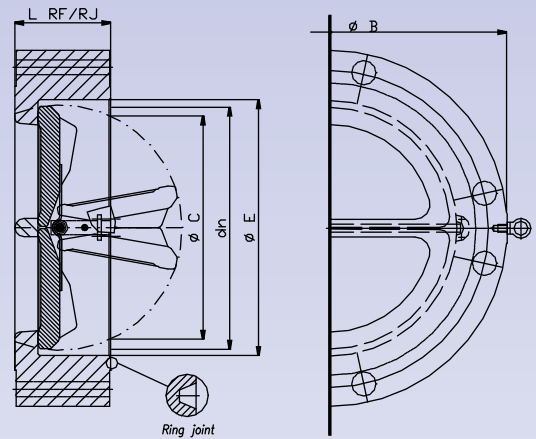


Dual Plate, Single Plate & Tilting Disc

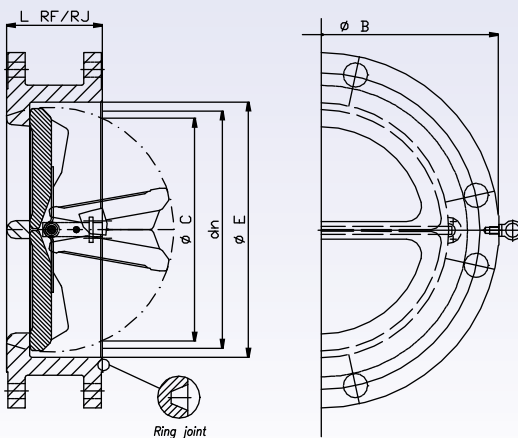
Class	Size DN (mm)	2"	3"	4"	6"	8"	10"	12"	14"	16"	18"	20"	24"	30"	36"	40"	42"	48"
		50	80	100	150	200	250	300	350	400	450	500	600	750	900	1000	1050	1200
ANSI 150	ØE (mm)	59	89	115	168	216	272	324	354	406	458	509	608	762	914	1016	1067	1215
	ØC (mm)	29	52	84	142	174	238	264	290	337	400	442	541	645	652	888	940	1150
	ØB (mm)	105	137	175	222	279	340	410	451	514	549	606	718	775	1048	1162	1219	1385
WAFER	L RF/RJ	60	73	73	98	127	146	181	184	191	203	219	222	305	368	432	432	524
	Weight (Kg)	3.2	6.4	9.5	16	36	51	96	122	131	140	214	355	660	800	910	1140	1510
	ØB (mm)	153	190	229	280	343	407	483	533	597	635	699	813	984	1169	1289	1346	1511
LUG	L RF/RJ	60	73	73	98	127	146	181	184	191	203	219	222	305	368	432	432	524
	Weight (Kg)	7	12.2	18.5	31	62	93	172	200	243	292	345	395	985	1450	1390	2380	2850
	ØB (mm)	-	-	-	-	343	406	483	533	597	635	699	813	984	1168	1289	1346	1511
FLANGED	L RF/RJ	-	-	-	-	127	146	181	184	191	203	219	222	305	368	432	432	524
	Weight (Kg)	-	-	-	-	36	51	96	122	131	140	214	355	660	800	1500	1900	2200



WAFER DUAL PLATE



LUG DUAL PLATE



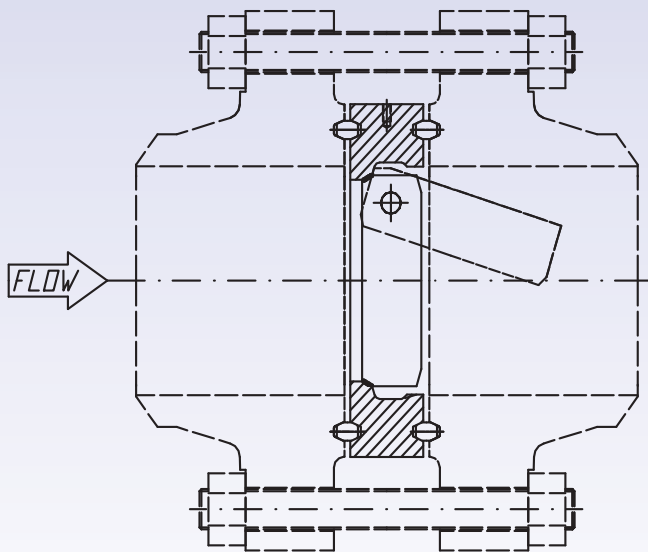
FLANGED DUAL PLATE



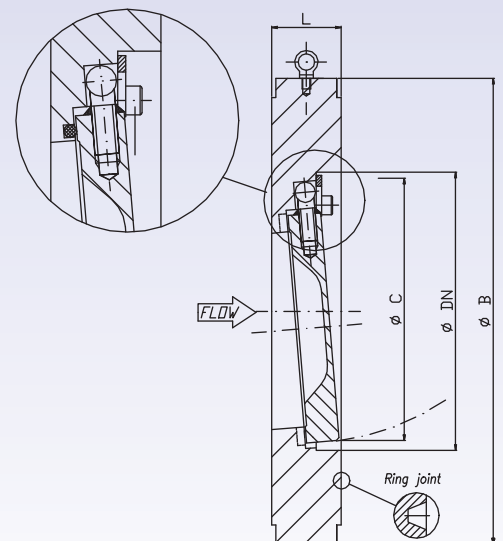
Dual Plate, Single Plate & Tilting Disc

Class	Size DN (mm)	2"	3"	4"	6"	8"	10"	12"	14"	16"	18"	20"	24"	30"	36"	40"	42"
		50	80	100	150	200	250	300	350	400	450	500	600	750	900	1000	1050
ANSI 300	ØE (mm)	59	89	115	168	216	272	324	354	406	458	509	608	762	914	1016	1067
	ØC (mm)	29	52	84	142	174	238	264	290	337	400	442	541	645	652	888	940
	ØB (mm)	111	149	181	251	308	362	422	486	540	597	654	775	952	1118	1114	1168
WAFER	L RF/RJ	60	73	73	98	127	146	181	222	232	264	292	318	368	483	546	568
	Weight (Kg)	3.2	7.6	10.4	19.5	39	55	96	175	205	292	360	520	948	1255	1830	2650
LUG	ØB (mm)	165	210	254	318	381	445	521	584	648	711	775	915	1092	1270	1238	1289
	L RF/RJ	60	73	73	98	127	146	181	222	232	264	292	318	368	483	546	568
	Weight (Kg)	8.2	15	24	44	77	114	245	238	490	555	760	1185	1992	2670	3830	5520
FLANGED	ØB (mm)	-	-	-	-	-	-	521	584	648	711	775	915	1092	1270	1238	1289
	L RF/RJ	-	-	-	-	-	-	181	222	232	264	292	318	368	483	546	568
	Weight (Kg)	-	-	-	-	-	-	155	205	300	395	490	756	1600	2140	3100	4350

Class	Size DN (mm)	2"	3"	4"	6"	8"	10"	12"	14"	16"	18"	20"	24"	30"	36"	40"	42"
		50	80	100	150	200	250	300	350	400	450	500	600	750	900	1000	1050
ANSI 600	ØE (mm)	59	89	115	168	216	272	324	354	406	458	509	608	762	914	1016	1067
	ØC (mm)	29	51	89	89	174	203	235	235	310	334	435	512	588	531	747	656
	ØB (mm)	111	149	194	267	321	400	457	492	565	613	683	790	971	1130	1157	1219
WAFER	L RF/RJ	60	73	79	137	165	213	229	273	305	362	368	438	505	635	661	752
	Weight (Kg)	3.2	7.6	12.5	35	70	116	162	185	331	394	540	810	1600	2100	3400	3800
LUG	ØB (mm)	165	210	273	356	419	508	559	603	686	743	813	940	1130	1315	1315	1403
	L RF/RJ	60	73	79	137	165	213	229	273	305	362	368	438	505	635	661	702
	Weight (Kg)	8.2	14.2	30	81	134	234	304	570	550	1075	1300	1560	3010	5900	7870	7900
FLANGED	ØB (mm)	-	-	-	-	-	508	559	603	686	743	813	940	1130	1315	1321	1403
	L RF/RJ	-	-	-	-	-	213	229	273	305	362	368	438	505	635	661	702
	Weight (Kg)	-	-	-	-	-	183	240	380	450	600	760	1150	2450	4720	6310	6400



ALTERNATIVE CONSTRUCTION



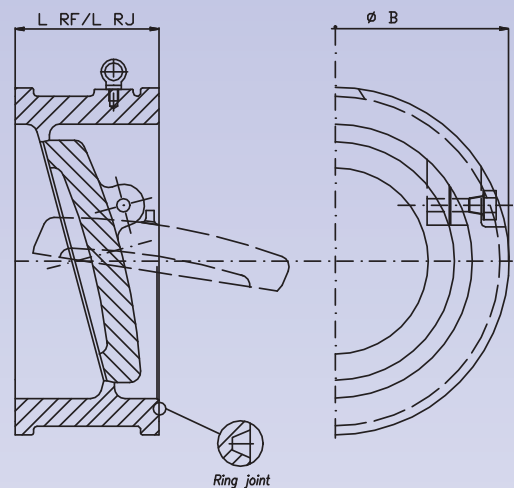
WAFER SINGLE PLATE

Dual Plate, Single Plate & Tilting Disc

Class	Size DN (mm)	2"	3"	4"	6"	8"	10"	12"	14"	16"	18"	20"	24"
		ANSI 900	ØE (mm)	59	89	115	168	216	272	324	354	406	458
	ØC (mm)	29	62	84	92	133	198	210	240	164	248	410	448
WAFER	ØB (mm)	143	168	206	289	359	435	499	521	524	639	698	838
	L RF/RJ	70	83	102	159	206	241	292	356	384	451	451	495
	Weight (Kg)	8.2	11.6	19	53	120	195	290	395	530	610	640	1210
LUG	ØB (mm)	216	241	292	381	470	546	499	515	705	788	857	1042
	L RF/RJ	70	83	102	159	206	241	292	356	384	451	451	495
	Weight (Kg)	16.5	24	44	113	217	325	510	780	610	1440	1950	2355
FLANGED	ØB (mm)	-	-	-	-	-	546	499	514	705	787	857	1042
	L RF/RJ	-	-	-	-	-	241	292	356	384	451	451	495
	Weight (Kg)	-	-	-	-	-	205	350	555	580	830	1790	1890

Class	Size DN (mm)	2"	3"	4"	6"	8"	10"	12"	14"	16"	18"
		ANSI 1500	ØE (mm)	59	89	115	168	216	272	324	354
	ØC (mm)	29	62	84	92	133	188	213	240	164	188
WAFER	ØB (mm)	143	175	210	283	352	435	521	571	641	705
	L RF/RJ	70	83	102	159	206	248	305	356	384	468
	Weight (Kg)	9	13	21	51	116	203	370	480	590	790
LUG	ØB (mm)	216	267	311	394	483	584	673	749	826	914
	L RF/RJ	70	83	102	159	206	248	305	356	384	168
	Weight (Kg)	17	30	50	51	120	280	640	1100	1150	1770

Class	Size DN (mm)	2"	3"	4"	6"	8"	10"	12"
		ANSI 2500	ØE (mm)	59	89	115	168	216
	ØC (mm)	29	62	84	92	145	194	229
WAFER	ØB (mm)	146	197	235	318	387	476	549
	L RF/RJ	70	86	105	159	206	254	305
	Weight (Kg)	13	16	30	69	135	215	395
LUG	ØB (mm)	235	305	356	483	553	673	762
	L RF/RJ	70	86	105	159	206	254	305
	Weight (Kg)	18	37	70	185	315	495	750



WAFER TILTING DISC



A Long Experience in Energy Equipment and one Goal:

The Customer's satisfaction.



Vicenza Plant.



VALVITALIA S.p.A. - Vitas Division
Via Soastene, 24 - 36040 Brendola (VI) - Italy
Phone: +39.0444.7491176 - Fax: +39.0444.401498
E-mail: info.vitas@valvitalia.com
www.valvitalia.com