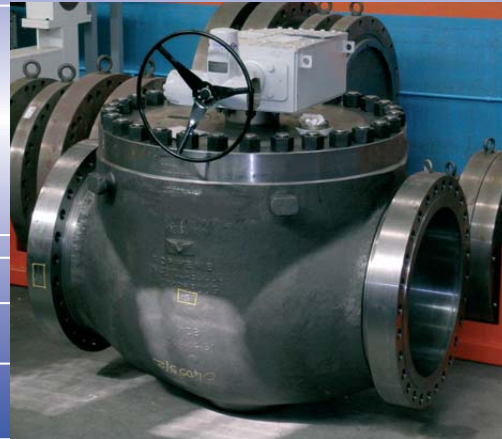


*A Long Experience in Energy Equipment and one Goal:*

*The Customer's satisfaction.*



## **BALL VALVES**

*Side Entry Trunnion Mounted,  
Fully Welded,  
Top Entry.*



# Side Entry Ball Valves Trunnion Mounted & Fully Welded

1

Design construction:  
API 6D - ANSI B16.34  
Testing according to API 6D  
Marking according to MSS SP25 - API6D

2

Flanges according to: ANSI B16.5 for size 2" to 24" - ASME B16.47 for size >26"  
Butt Welding Ends according to ANSI B16.25  
Face to face according to API 6D  
Trunnion Mounted - Side entry design

3

Double block & bleed - Anti blow out stem  
Body cavity self relieving  
Seat sealing soft and metal to metal  
Valves are Full Bore or Reduced Bore construction

4

Antistatic device  
Fire safe design - Fire safe certificate on request  
Body relief valve on request  
Grease injector on seats on request

5

Under ground application on request  
Bevel gear on:  
DN > 4" Classes 150, 300, 600, 900 and 1500  
DN > 3" Class 2500



# Side Entry Ball Valves Trunnion Mounted & Fully Welded

## Class ANSI 150 - Full Bore

size inch	2	3	4	6	8	10	12	14	16	18	20	22	24	28	30	32	34	36	40	42	48	56
A	51	76	102	152	203	254	305	337	388	438	489	540	591	686	737	781	832	876	978	1022	1168	1384
LBW	216	282	305	457	521	559	635	762	838	914	991	1093	1143	1346	1397	1524	1626	1727	1956	2083	2338	2338
L RF	178	203	229	394	457	534	610	686	762	864	914	991	1067	1245	1295	1372	1473	1524	1727	1855	2134	2388
E	130	139	171	235	268	311	349	386	421	457	492	576	571	635	684	750	780	798	1030	935	1222	1278
D	105	127	152	189	206	264	400	332	367	383	420	536	620	670	610	750	790	720	930	935	1157	1278
Weight RF	17	58	93	200	350	495	705	859	1020	1440	1918	2352	2803	4045	4820	5490	6704	7615	10271	12110	18360	-
Weight BW kg	16	56	88	192	325	475	669	818	975	1360	1838	1926	2730	3942	4730	5374	6578	7565	9770	11512	17930	-

## Class ANSI 150 - Reduced Bore

size inch	3x2	4x3	6x4	8x6	10x6	10x8	12x8	12x10	14x12	16x12	16x14	18x16	20x16	20x18	22x18	24x20	30x24	36x30	42x36	48x40
A	51	76	102	152	152	203	203	254	305	305	337	387	387	438	438	489	591	737	876	978
E	130	159	171	238	238	274	274	311	349	349	386	457	440	498	498	537	660	836	947	1030
D	105	127	152	200	200	241	241	400	317	317	332	367	398	457	457	497	610	784	871	930
Weight RF	30	62	102	225	235	373	400	533	730	765	790	1095	1124	1152	2343	2060	2918	4995	-	-
Weight BW kg	25	58	97	212	193	352	375	500	700	720	750	1032	1055	1090	2274	1980	2838	4900	-	-

## Class ANSI 300 - Full Bore

size inch	2	3	4	6	8	10	12	14	16	18	20	22	24	28	30	32	34	36	40	42	48	56
A	51	76	102	152	203	254	305	337	388	438	489	540	590	686	736	781	832	876	978	1022	1168	1372
LBW	216	283	305	457	521	559	635	762	839	914	991	1093	1143	1347	1397	1524	1626	1728	1980	2032	2337	2692
L RF	216	283	305	404	502	569	648	762	839	914	991	1093	1143	1347	1397	1524	1626	1728	1930	2032	2337	2692
E	125	173	171	228	275	341	381	408	442	498	612	651	735	806	701	882	928	947	1016	1092	1222	1334
D	99	130	152	200	224	297	338	367	407	457	534	574	650	683	625	803	838	871	987	1019	1156	1276
Weight RF	31	69	111	211	376	540	763	900	1300	1715	2090	2220	2090	4575	5590	6240	7370	8435	11200	13050	19000	-
Weight BW kg	27	58	93	194	331	470	660	821	1075	1510	1850	2350	2730	3960	5000	5620	6580	7580	9800	11600	17900	-

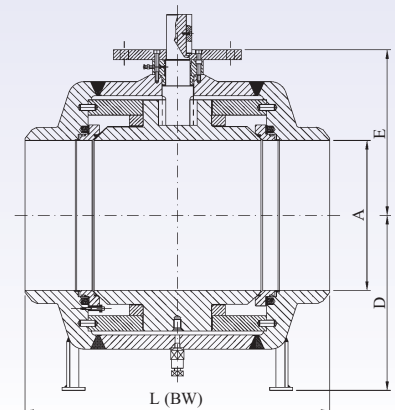
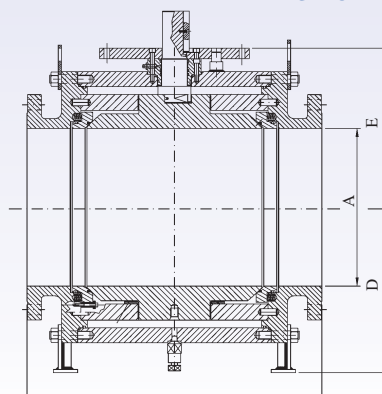
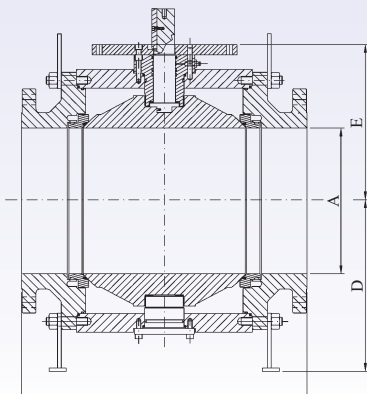
## Class ANSI 300 - Reduced Bore

size inch	3x2	4x3	6x4	8x6	10x6	10x8	12x8	12x10	14x12	16x12	16x14	18x16	20x16	20x18	22x18	24x20	28x24	30x24	36x30	42x36	48x40
A	51	76	102	152	152	203	203	254	305	305	337	387	387	438	438	489	590	590	736	876	1060
E	130	159	171	228	228	274	274	341	379	379	402	460	460	498	498	612	735	735	836	947	987
D	105	127	152	200	200	241	297	297	337	337	358	419	419	457	457	534	650	650	764	871	15000
Weight RF	37	74	142	253	300	410	440	580	830	842	970	1530	1620	1830	2010	2220	3200	3200	6100	9200	13600
Weight BW kg	28	60	105	219	280	365	365	512	720	740	890	1490	1530	1690	1780	1980	2850	2850	5495	8900	-

SMALL SIZE

LARGE SIZE

FULLY WELDED



# Side Entry Ball Valves Trunnion Mounted & Fully Welded

## Class ANSI 600 - Full Bore

size inch	2	3	4	6	8	10	12	14	16	18	20	22	24	28	30	32	34	36	40	42	48	56
A	51	76	102	152	203	254	305	337	387	438	489	540	591	686	737	781	832	876	978	1022	1168	1372
LBW / RF	292	356	432	559	660	787	838	889	991	1092	1194	1295	1397	1549	1651	1778	1930	2083	2337	2438	2845	2904
L RJ	295	359	435	562	664	791	841	892	994	1095	1200	1305	1407	-	-	-	-	-	-	-	-	-
E	124	173	189	236	300	328	381	408	452	481	532	601	750	876	895	940	977	1060	1120	1251	1419	
D	87	130	147	177	253	279	320	367	421	410	460	621	528	700	818	840	890	920	991	1010	1213	1364
Weight RF	45	80	150	248	438	701	625	1230	1535	2135	2640	3370	3960	6060	6690	7820	8460	10650	14700	16140	24200	-
Weight BW kg	37	72	124	206	380	569	775	1070	1280	1863	2320	3060	3650	5570	6116	7320	7570	9490	12750	14310	22100	-

## Class ANSI 600 - Reduced Bore

size inch	2x1.12	3x2	4x3	6x4	8x6	10x6	10x8	12x8	12x10	14x12	16x12	16x14	18x16	20x16	20x18	22x18	24x20	30x24	42x36
A	38	51	76	102	152	152	203	203	254	305	305	337	387	387	438	438	489	591	876
E	120	124	173	189	228	228	300	274	328	379	379	408	452	535	573	573	357	735	977
D	84	87	130	147	200	200	253	241	279	337	337	367	421	465	502	502	580	660	920
Weight RF	54	54	99	212	304	340	510	530	902	1090	1365	1310	1640	1965	2270	2430	3440	4730	11100
Weight BW kg	42	42	78	164	260	296	440	453	747	978	1198	1169	1379	1715	1930	2309	3129	4430	10050

## Class ANSI 900 - Full Bore

size inch	3	4	6	8	10	12	14	16	18	20	22	24	28
A	76	102	152	203	254	305	324	375	425	473	524	572	667
LBW/RF	381	457	610	737	838	965	1029	1130	1219	1321	1422	1549	1753
L RJ	384	460	613	740	842	968	1038	1140	1232	1334	1441	1569	1775
E	159	188	3	299	345	419	457	578	616	711	756	794	905
D	127	147	263	235	320	391	413	505	540	629	673	699	725
Weight RF / RJ	87	160	385	560	820	1125	1610	2010	2810	3460	4410	5497	-
Weight BW kg	67	115	295	435	635	1001	1270	1590	2220	2740	3410	4150	-

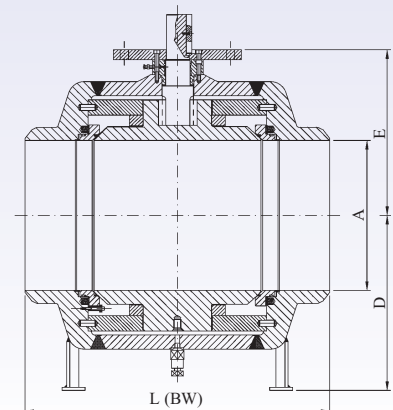
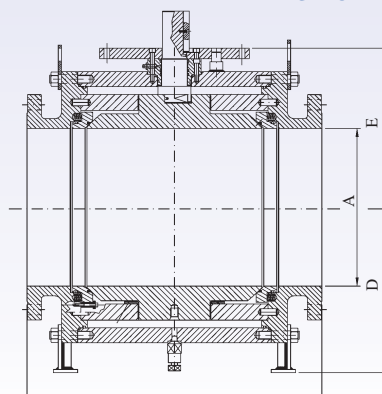
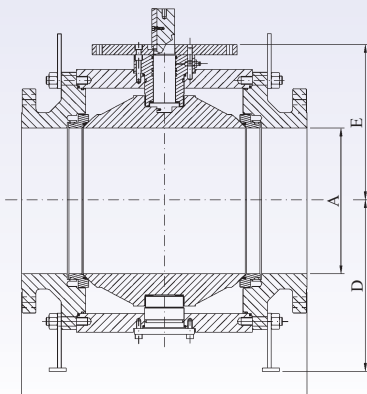
## Class ANSI 900 - Reduced Bore

size inch	3x2	4x3	6x4	8x6	10x6	10x8	12x8	12x10	14x12	16x12	16x14	18x16	20x16	20x18	22x18	24x20
A	51	76	102	152	152	203	203	254	305	305	324	375	375	425	425	473
E	130	159	171	257	257	330	330	345	413	413	457	578	578	616	616	711
D	105	127	152	216	216	279	279	320	362	362	413	505	505	540	540	629
Weight RF / RJ	56	94	226	480	525	650	710	868	1310	1910	1830	2205	2570	3140	3288	3810
Weight BW kg	49	75	180	353	373	570	630	678	1090	1680	1430	1785	1849	2548	2696	3075

SMALL SIZE

LARGE SIZE

FULLY WELDED



# Side Entry Ball Valves Trunnion Mounted & Fully Welded

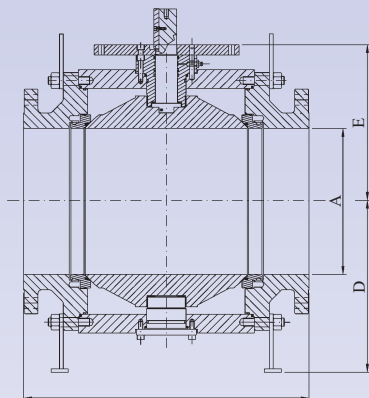
## Class ANSI 1500 - Full Bore

size inch	2	3	4	6	8	10	12	14	16	18	20	22	24	28
A	51	76	102	146	194	241	289	318	362	406	451	495	533	622
LBW/RF	368	470	546	705	832	991	1130	1257	1384	1537	1664	1816	2045	2210
L RJ	372	473	550	711	842	1000	1116	1276	1407	1559	1686	1845	1972	-
E	144	159	171	299	370	445	495	549	692	743	854	908	956	1005
D	144	105	127	263	332	381	438	496	606	651	756	813	845	966
Weight RF / RJ	60	115	194	580	752	1195	2170	2250	2760	3646	4497	5731	7151	-
Weight BW kg	38	85	135	440	540	845	1260	1470	1820	2679	3559	4432	5412	-

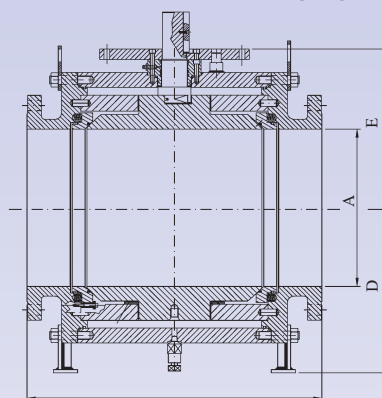
## Class ANSI 1500 - Reduced Bore

size inch	2x1.12	3x2	4x3	6x4	8x6	10x6	10x8	12x8	12x10	14x12	16x12	16x14	18x16	20x16	20x18	22x18	24x20
A	38	51	76	102	146	146	194	194	241	289	289	314	362	362	406	406	451
E	120	130	159	171	279	279	394	394	445	495	549	692	743	692	743	743	854
D	96	105	127	152	260	260	340	340	381	438	438	496	606	606	651	651	756
Weight RF / RJ	82	82	150	295	690	750	930	980	1340	2070	2170	2470	2950	3120	3360	3600	5850
Weight BW kg	74	74	125	243	475	535	575	625	890	1150	1260	1705	2450	2620	2902	3150	4202

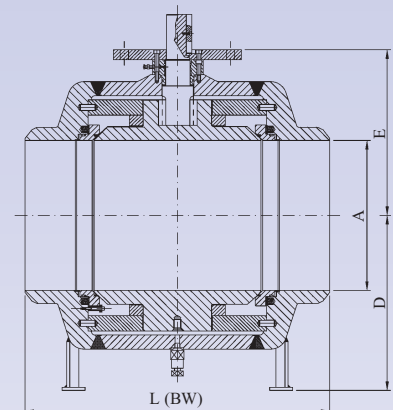
SMALL SIZE



LARGE SIZE



FULLY WELDED



# Ball Valves Top Entry

1

Design construction:  
API 6D - ANSI B16.34  
Testing according to API 6D  
Marking according to MSS - SP25 - API 6D

2

Flanges according to: ANSI B16.5 for size 2" to 24" - ASME B16.47 for size  $\geq 26$ "  
Butt Welding Ends according to ANSI B16.25  
Face to face according to API 6D

3

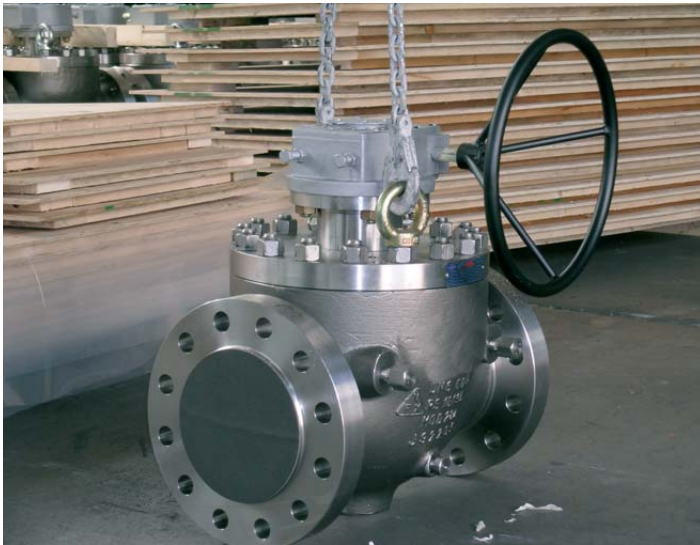
Double block & bleed - Anti blow out stem  
Body cavity self relieving - Seat sealing soft and metal to metal  
Valves are Full Bore or Reduced Bore construction

4

Antistatic device  
Fire safe design - Fire safe certificate on request  
Body relief valve on request  
Grease injector on seats on request

5

Under ground application on request  
Bevel gear on:  
DN > 4" Classes 150, 300, 600, 900 and 1500  
DN > 3" Class 2500



# Ball Valves Top Entry

## Class ANSI 150 - Full Bore

size inch	3	4	6	8	10	12	14	16	18	20	24	28	30	32	36	40	48	52
A	76	102	152	203	254	305	337	387	438	489	590	686	736	781	876	978	1168	1263
E	240	255	305	320	380	420	450	485	625	700	755	850	900	1000	1150	1250	1530	1670
D	115	125	185	215	275	330	360	420	450	490	580	680	730	790	890	970	1160	1255
L BW	356	432	559	660	787	838	889	991	1092	1194	1397	1549	1651	1778	2083	2330	2778	3000
L RF	356	432	559	660	787	838	889	991	1092	1194	1397	1549	1651	1778	2083	2330	2778	3000
Weight kg	43	65	115	220	890	1230	1530	2040	3060	4050	6750	7100	8500	10070	12070	14025	30390	33675

## Class ANSI 150 - Reduced Bore

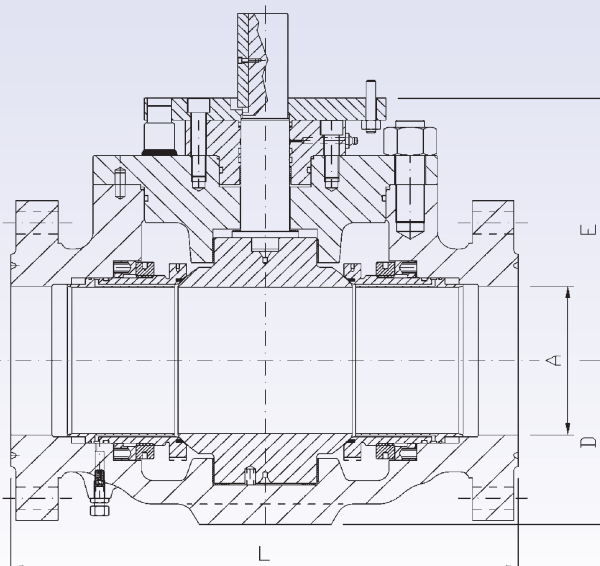
size inch	4/3	6/4	8/6	10/6	10/8	12/8	12x10	14x10	14x12	16x12	16x14	18x14	20x16	24x20	28x24	30x24	32x28	36x30	40x36	48x40	52x48	56x52
A	76	102	152	152	203	203	254	254	305	305	337	337	387	489	590	590	686	736	876	978	1168	1263
E	240	255	305	305	320	320	380	380	420	420	450	450	485	700	765	765	860	900	1150	1250	1530	1470
D	115	125	185	185	215	215	275	280	330	330	360	360	420	490	580	580	680	730	890	970	1160	1255
L BW	432	559	660	787	787	838	889	889	991	991	1092	1092	1194	1397	1549	1651	1778	2083	2330	2778	3000	3230
L RF	432	559	660	787	787	838	889	889	991	991	1092	1092	1194	1397	1549	1651	1778	2083	2330	2778	3000	3230
Weight kg	50	75	130	145	235	260	1070	1160	1565	1695	1835	1990	2450	4590	7650	8290	8520	10200	14485	16830	36465	40410

## Class ANSI 300 - Full Bore

size inch	3	4	6	8	10	12	14	16	18	20	24	28	30	32	36	40	48	52
A	76	102	152	203	254	305	337	387	438	489	590	686	736	781	876	978	1168	1263
E	240	255	305	320	380	420	450	485	625	700	755	850	900	1000	1150	1250	1530	1670
D	115	125	185	215	275	330	360	420	450	490	580	680	730	790	890	970	1160	1255
L BW	356	432	559	660	787	838	889	991	1092	1194	1397	1549	1651	1778	2083	2330	2778	3000
L RF	356	432	559	660	787	838	889	991	1092	1194	1397	1549	1651	1778	2083	2330	2778	3000
Weight kg	48	74	122	260	945	1305	1620	2160	3240	4050	6750	7500	9000	10660	12780	14850	32175	35650

## Class ANSI 300 - Reduced Bore

size inch	4/3	6/4	8/6	10/6	10/8	12/8	12x10	14x10	14x12	16x12	16x14	18x14	20x16	24x20	28x24	30x24	32x28	36x30	40x36	48x40	52x48	56x52
A	76	102	152	152	203	203	254	254	305	305	337	337	387	489	590	590	686	736	876	978	1168	1263
E	240	255	305	305	320	320	380	380	420	420	450	450	485	700	765	765	860	900	1150	1250	1530	1470
D	115	125	185	185	215	215	275	280	330	330	360	360	420	490	580	580	680	730	890	970	1160	1255
L BW	432	559	660	787	787	838	889	889	991	991	1092	1092	1194	1397	1549	1651	1778	2083	2330	2778	3000	3230
L RF	432	559	660	787	787	838	889	889	991	991	1092	1092	1194	1397	1549	1651	1778	2083	2330	2778	3000	3230
Weight kg	50	75	130	145	235	260	1135	1230	1565	1630	1945	2025	2590	4860	8100	8775	9020	10800	15335	17820	30610	42780



# Ball Valves Top Entry

## Class ANSI 400 - Full Bore

size inch	3	4	6	8	10	12	14	16	18	20	24	28	30	32	36	40	48	52
A	76	102	152	203	254	305	337	387	438	489	590	686	736	781	876	978	1168	1263
E	240	255	305	320	380	420	450	485	625	700	755	850	900	1000	1150	1250	1530	1670
D	115	125	185	215	275	330	360	420	450	490	580	680	730	790	890	970	1160	1255
L BW	356	432	559	660	787	838	889	991	1092	1194	1397	1549	1651	1778	2083	2330	2778	3000
L RF	356	432	559	660	787	838	889	991	1092	1194	1397	1549	1651	1778	2083	2330	2778	3000
Weight kg	54	86	155	358	1000	1380	1710	2280	3420	4275	7125	7930	9500	11260	13490	15670	33960	37630

## Class ANSI 400 - Reduced Bore

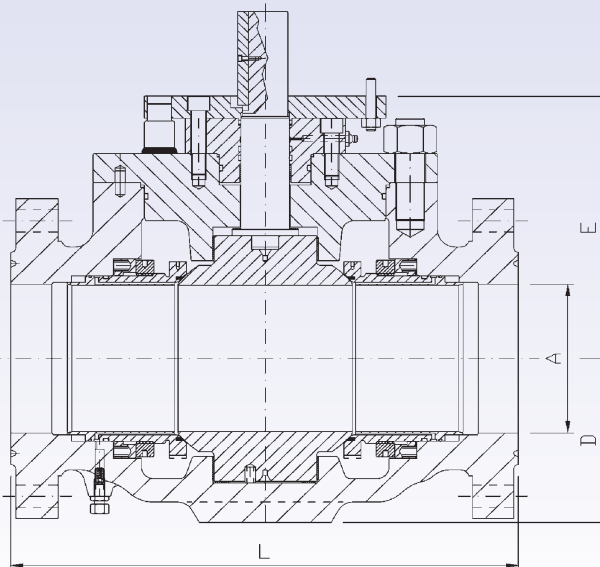
size inch	4/3	6/4	8/6	10/6	10/8	12/8	12x10	14x10	14x12	16x12	16x14	18x14	20x16	24x20	28x24	30x24	32x28	36x30	40x36	48x40	52x48	56x52
A	76	102	152	152	203	203	254	254	305	305	337	337	387	489	590	590	686	736	876	978	1168	1263
E	240	255	305	305	320	320	380	380	420	420	450	450	485	700	765	765	850	900	1150	1250	1530	1470
D	115	125	185	185	215	215	275	280	330	330	360	360	420	490	580	580	680	730	890	970	1160	1255
L BW	432	559	660	787	787	838	838	889	889	991	991	1092	1194	1397	1549	1651	1778	2083	2330	2778	3000	3230
L RF	432	559	660	787	787	838	838	889	889	991	991	1092	1194	1397	1549	1651	1778	2083	2330	2778	3000	3230
Weight kg	54	86	155	165	360	380	1200	1300	1650	1790	2050	2225	2745	5130	8550	9260	9520	11400	16190	18810	40755	45163

## Class ANSI 600 - Full Bore

size inch	3	4	6	8	10	12	14	16	18	20	24	28	30	32	36	40	48	52
A	76	102	152	203	254	305	337	387	438	489	590	686	736	781	876	978	1168	1263
E	240	255	305	320	380	420	450	485	625	700	755	850	900	1000	1150	1250	1530	1670
D	115	125	185	215	275	330	360	420	450	490	580	680	730	790	890	970	1160	1255
L BW	356	432	559	660	787	838	889	991	1092	1194	1397	1549	1651	1778	2083	2330	2778	3000
L RF	356	432	559	660	787	838	889	991	1092	1194	1397	1549	1651	1778	2083	2330	2778	3000
L RJ	359	435	562	664	791	841	892	994	1095	1200	1407	-	-	-	-	-	-	-
Weight kg	60	92	187	400	1050	1450	1800	2400	3600	4500	7500	8350	10000	11850	14200	16500	35750	39617

## Class ANSI 600 - Reduced Bore

size inch	4/3	6/4	8/6	10/6	10/8	12/8	12x10	14x10	14x12	16x12	16x14	18x14	20x16	24x20	28x24	30x24	32x28	36x30	40x36	48x40	52x48	56x52
A	76	102	152	152	203	203	254	254	305	305	337	337	387	489	590	590	686	736	876	978	1168	1263
E	240	255	305	305	320	320	380	380	420	420	450	450	485	700	765	765	850	900	1150	1250	1530	1470
D	115	125	185	185	215	215	275	280	330	330	360	360	420	490	580	580	680	730	890	970	1160	1255
L BW	432	559	660	787	787	838	838	889	889	991	991	1092	1194	1397	1549	1651	1778	2083	2330	2778	3000	3230
L RF	432	559	660	787	787	838	838	889	889	991	991	1092	1194	1397	1549	1651	1778	2083	2330	2778	3000	3230
L RJ	435	562	664	791	791	841	841	892	892	994	994	1095	1200	1407	1562	1664	1794	2099	-	-	-	-
Weight kg	60	92	187	198	400	420	1260	1365	1740	1885	2160	2340	2880	5400	9000	9750	10020	12000	17040	19800	42900	47540



# Ball Valves Top Entry

## Class ANSI 900 - Full Bore

size inch	2	3	4	6	8	10	12	14	16	18	20	24	28	30	32	36	40
A	51	76	102	152	203	254	305	324	374	425	473	572	667	715	762	857	935
E	220	250	255	320	380	400	475	500	530	650	700	870	1040	1125	1210	1380	1550
D	110	120	125	200	250	285	345	390	430	465	510	600	690	735	780	870	960
L BW	368	381	457	610	737	838	965	1029	1130	1219	1321	1549	1807	1936	2066	2324	2582
L RF	368	381	457	610	737	838	965	1029	1130	1219	1321	1549	1807	1936	2066	2324	2582
L RJ	372	384	460	613	740	842	968	1038	1140	1232	1334	1569	1826	1955	2085	2343	2601
Weight kg	85	120	170	380	650	1250	1830	2000	3300	4800	5700	10000	12700	15520	18430	26250	36000

## Class ANSI 900 - Reduced Bore

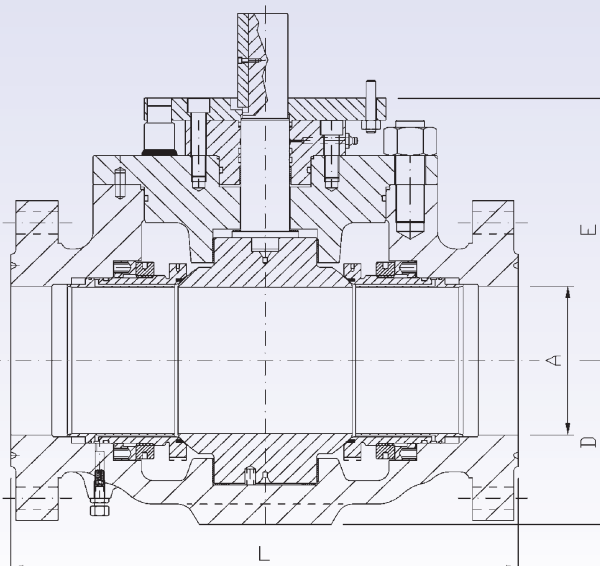
size inch	3x2	4x3	6x4	8x6	10x6	10x8	12x8	12x10	14x10	14x12	16x12	16x14	18x14	20x16	24x20	30x24	32x28	36x30	40x36	48x40
A	51	76	102	152	152	203	203	254	254	305	305	324	324	374	473	572	667	715	857	935
E	220	250	255	320	320	380	380	400	400	475	475	500	500	530	700	870	1040	1125	1380	1550
D	110	120	125	200	200	250	250	285	285	345	345	390	390	430	510	600	690	735	870	960
L BW	381	457	610	737	838	838	965	965	1029	1029	1130	1130	1219	1321	1549	1880	2066	2324	2582	3099
L RF	381	457	610	737	838	838	965	965	1029	1029	1130	1130	1219	1321	1549	1880	2066	2324	2582	3099
L RJ	384	460	613	740	842	842	968	968	1038	1038	1140	1140	1232	1334	1569	1902	2085	2343	2601	3118
Weight kg	95	140	200	420	460	720	780	1500	1570	2200	2290	2400	2500	3960	6840	12000	15240	18624	31500	43200

## Class ANSI 1500 - Full Bore

size inch	2	3	4	6	8	10	12	14	16	18	20	24	28	30	32	36	40
A	51	76	102	146	194	241	289	318	362	410	461	548	644	690	736	828	920
E	230	250	255	500	550	690	720	800	900	950	990	1300	1610	1765	1920	2230	2540
D	120	130	135	320	350	400	420	460	500	550	590	900	1210	1365	1520	1830	2140
L BW	470	546	705	832	991	1130	1257	1384	1537	1664	1843	2420	2593	2769	3111	3457	
L RF	470	546	705	832	991	1130	1257	1384	1537	1664	1843	2420	2593	2769	3111	3457	
L RJ	372	473	550	711	842	1000	1146	1276	1407	1559	1686	1972	2442	2615	2791	3133	3479
Weight kg	98	145	243	925	1625	1940	2820	5460	6120	7650	9180	15870	23845	30710	37270	53070	72800

## Class ANSI 1500 - Reduced Bore

size inch	3x2	4x3	6x4	8x6	10x6	10x8	12x8	12x10	14x10	14x12	16x12	16x14	18x14	20x16	24x20	30x24	32x28	36x30	40x36	48x40
A	51	76	102	146	146	194	194	241	241	289	289	318	318	362	456	548	644	690	828	920
E	230	250	255	500	500	550	550	690	690	720	720	800	800	900	990	1300	1610	1765	2230	2540
D	120	130	135	320	320	350	350	400	400	420	420	460	460	500	550	900	1210	1365	1830	2140
L BW	470	546	-	832	991	991	1130	1130	1257	1257	1384	1384	1537	1664	1943	2593	2769	3111	3457	4174
L RF	470	546	705	832	991	991	1130	1130	1257	1257	1384	1384	1537	1664	1943	2593	2769	3111	3457	4174
L RJ	473	549	711	842	1000	1000	1146	1146	1276	1276	1407	1407	1559	1686	1972	2615	2791	3133	3479	4219
Weight kg	110	170	255	1110	1160	1950	2030	2330	2430	3390	3525	6550	6825	7345	11020	19045	28615	36850	63690	87360



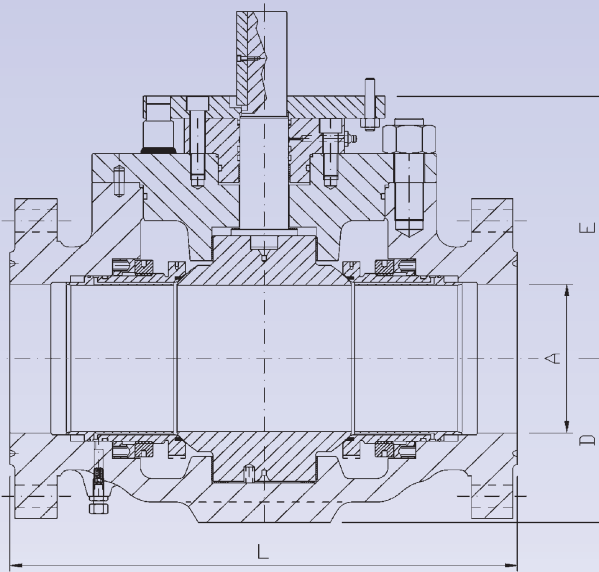
# Ball Valves Top Entry

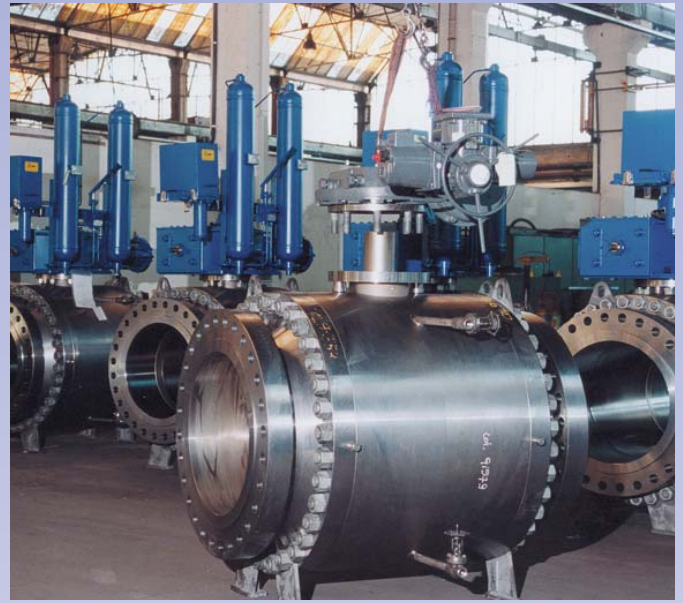
## Class ANSI 2500 - Full Bore

size	inch	2	3	4	6	8	10	12	14	16	18	20
A		45	64	89	133	181	226	266	311	356	400	445
E		250	300	350	700	780	1035	1125	1215	1305	1395	1485
D		140	150	180	465	530	745	825	905	985	1065	1145
L BW		451	578	373	914	1022	1270	1422	1659	1896	2133	2369
L RF		451	578	673	914	1022	1270	1422	1959	1896	2133	2369
LRJ		454	584	683	927	1038	1292	1445	1681	1918	2155	2391
Weight kg		120	180	420	1225	2060	4060	9020	14375	20625	27500	35000

## Class ANSI 2500 - Reduced Bore

size	inch	3x2	4x3	6x4	8x6	10x6	10x8	12x10	14x10	14x12	16x12	16x14	18x14	20x16	24x20	
A		45	64	89	133	133	181	181	226	226	266	266	311	311	356	445
E		250	300	350	700	700	780	780	1035	1035	1125	1125	1215	1215	1305	1485
D		140	150	180	465	465	530	530	745	745	825	825	905	905	985	1145
L BW		578	673	914	1022	1270	1270	1422	1422	1660	1660	1896	1896	2133	2369	2845
L RF		578	673	914	1022	1270	1270	1422	1422	1660	1660	1896	1896	2133	2369	2845
LRJ		584	683	927	1038	1292	1292	1445	1445	1682	1682	1918	1918	2155	2391	2883
Weight kg		140	220	500	1470	1530	2470	2575	4870	5075	10825	11275	17250	17970	24750	42000





A Long Experience in Energy Equipment and one Goal:

The Customer's satisfaction.



Vicenza Plant.



**VALVITALIA S.p.A. - Vitas Division**  
Via Soastene, 24 - 36040 Brendola (VI) - Italy  
Phone: +39.0444.749111 - Fax: +39.0444.401498  
E-mail: [info.vitas@valvitalia.com](mailto:info.vitas@valvitalia.com)  
[www.valvitalia.com](http://www.valvitalia.com)